



## Contents



Blum AVENTOS HF

3.02



Blum AVENTOS HL

3.04



Blum AVENTOS HS

3.06



Blum AVENTOS HK

3.08



Kesseböhmer Ewiva Lift

3.12



Kesseböhmer Stay Lift

3.14

AVENTOS is the ideal solution for any wall cabinet.

Whether it is used in the kitchen or living area, whether there is lots of space available or only a little and whether it is used with small or large fronts, one thing never changes: the ease of motion.

With SERVO-DRIVE the lift system opens at a single touch. Thanks to BLUMOTION, it closes again silently and effortlessly.

AVENTOS lift system fittings offer the highest quality – in addition to their proven stability and elegant design.



**AVENTOS HF** is Blum's award-winning fitting system for bi-fold fronts and high and large fronts. The system provides endless possibilities in planning and design with little installation effort. AVENTOS HF offers direct access, ease of use and freedom of movement.



**AVENTOS HS** is the ideal fitting for large fronts for wall cabinets that offer a multitude of design possibilities and enhanced user convenience. Like all other AVENTOS systems, the up & over system is easy to assemble and has an award-winning design.



**AVENTOS HL** is the ideal lift up system for mid and high wall units and for niche cabinets with cabinets positioned above them. For easy access to cabinet interiors, international design juries have presented AVENTOS HL with several awards.



The **AVENTOS HK** stay lift needs little space - even above fitted cabinets. **AVENTOS HK-S** is the right solution for small wall cabinets and for fitted units, e.g. above larder units or refrigerators. It fits snugly into small furniture and rounds off the AVENTOS program.

## Blum AVENTOS Program: AVENTOS HF



### AVENTOS HF Bi-Fold Lift

- Soft closing and soft opening action
- Variable stop position
- Fast easy assembly using clip technology
- Adapted centre hinge for safety
- 3 way door adjustment and telescopic arm adjustment
- Simple and fast tension adjustment for optimum action
- Minimum cabinet depth 278mm
- No protruding parts for safe and easy transport
- Narrow telescopic arm for maximum storage within the cabinet
- New SERVO Drive for AVENTOS, the electrical motion support for wall cabinets

#### Drilling Position

\* Drill depth 5 mm  
\*\* Alternative drilling

Cabinet height (CH)	H (mm)
480 - 549 mm	CH x 0.3 - 28 mm
550 - 1040 mm	CH x 0.3 - 57 mm

#### Space Requirement

CH Cabinet Height

#### Opening Angle Stop

(see page 3.11)

Angle Stop	Y
Without	FH x 0.44 + 38 mm
104°	FH x 0.24 + 34 mm
83°	0 mm

#### Front Fixing Position

Cabinet height (CH)	X (mm)
480 - 549 mm	68 mm
550 - 1040 mm	45 mm

#### Drill Position 120° Top hinge

Front Overlay	14	15	16	17
Drilling Distance	3	4	5	6

Based on 0 mm plate supplied

#### Centre Hinge

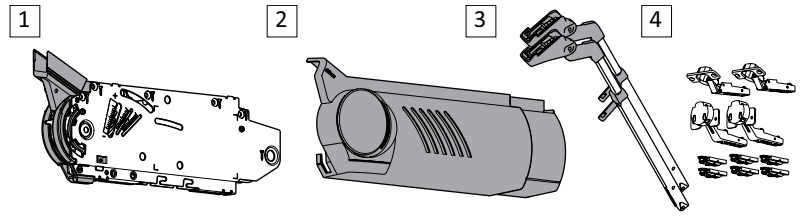
Gap	3	4	5	6
DD	6	5	4	3

#### Door Bumper Position SERVO-DRIVE

NOTE: To obtain the perfect motion AVENTOS HF works on Power Factor (PF). PF = Cabinet height x door weight including handle weight in kg. The tables opposite assume the optimum PF based on 20 mm MDF Door

### AVENTOS HF Bi-fold Sets

1. Mechanism 2 pieces
2. Cover Caps L+R
3. Lever Arms 2 pieces
4. HF Hinge Kit



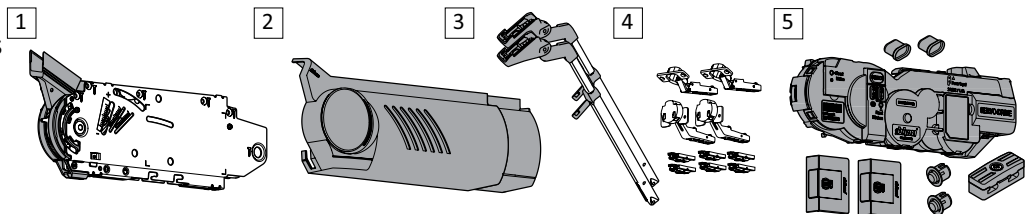
Blum AVENTOS HF Bi-Fold Lift Set

Door Height	Cabinet Width (mm)					
	500 mm	600 mm	800 mm	900 mm	1000 mm	1200 mm
2 pieces 283 mm	B20F2850 2600-5500 PF*	B20F2860 2600-5500 PF*	B20F2880 2600-5500 PF*	B20F2890 2600-5500 PF*	B20F2810 2600-5500 PF*	B20F2812 5350-10150 PF*
2 pieces 355 mm	B20F3550 2600-5500 PF*	B20F3560 2600-5500 PF*	B20F3580 5350-10150 PF*	B20F3590 5350-10150 PF*	B20F3510 5350-10150 PF*	B20F3512 5350-10150 PF*
2 pieces 450 mm	B20F4550 5350-10150 PF*	B20F4560 5350-10150 PF*	B20F4580 9000-17250 PF*	B20F4590 9000-17250 PF*	B20F4510 9000-17250 PF*	B20F4512 9000-17250 PF*

Based on 20 mm MDF Door. PF\* = Power Factor. Power factor guide see page 3.11

### AVENTOS HF SERVO-DRIVE Bi-fold Sets

1. Mechanism 2 pieces
2. Cover Caps L+R
3. Lever Arms 2 pieces
4. HF Hinge Kit
5. SERVO-DRIVE Kit



Note: AVENTOS SERVO-DRIVE requires a transformer BZ10NE050SET see page 1.25.  
One transformer required per kitchen (Island units may require additional transformer).

Blum AVENTOS HF SERVO-DRIVE Bi-Fold Lift Set

Door Height	Cabinet Width mm					
	500 mm	600 mm	800 mm	900 mm	1000 mm	1200 mm
2 pieces 283 mm	B21F2850 2600-5500 PF*	B21F2860 2600-5500 PF*	B21F2880 2600-5500 PF*	B21F2890 2600-5500 PF*	B21F2810 2600-5500 PF*	B21F2812 5350-10150 PF*
2 pieces 355 mm	B21F3550 2600-5500 PF*	B21F3560 2600-5500 PF*	B21F3580 5350-10150 PF*	B21F3590 5350-10150 PF*	B21F3510 5350-10150 PF*	B21F3512 5350-10150 PF*
2 pieces 450 mm	B21F4540 5350-10150 PF*	B21F4560 5350-10150 PF*	B21F4580 9000-17250 PF*	B21F4590 9000-17250 PF*	B21F4510 9000-17250 PF*	B21F4512 9000-17250 PF*

Based on 20 mm MDF Door. PF\* = Power Factor. Power factor guide see page 3.11

## Blum AVENTOS Program: AVENTOS HL



### Blum AVENTOS HL Microwave Lift

- Integrated BLUMOTION soft close and opening
- Easy assembly and adjustment
- Provides excellent access to the cabinet interior
- Small program, huge application variety
- Stability, even with wide fronts
- Full 3 - way adjustment
- Minimum internal depth 276mm
- Adjustment for door weight with easy calibration
- Door can be stopped in any position
- No protruding parts for safety and easy transport
- Excellent durability
- New SERVO Drive for AVENTOS, the electrical motion support for wall cabinets

#### Drilling Position

**SERVO-DRIVE**

\* Drill depth 5 mm  
\*\* Alternative drilling

#### Space Requirement

**SERVO-DRIVE**

CH Cabinet Height  
ICH Internal Cabinet Height

CH (mm)	Min ICH (mm)	Y (mm)
300 - 349	262	264
350 - 399	312	352
400 - 550	362	440

#### Cornice Clearance

SOB Top Panel Thickness

SOB (mm)	16	18	19
X Max (mm)	28	30	31

#### Front Fixing Position

CH (mm)	300-349	350-399	400-550
X	153	203	253

#### Front Settings (based on lower gap 0 mm)

CH (mm)	a (mm)	b (mm)
300 - 349	114	257
350 - 399	146	345
400 - 550	178	433

#### Oval Stabiliser Bar 1061 mm

Cut to Suit

Standard: ICW\*-129  
SERVO DRIVE: ICW\*-164

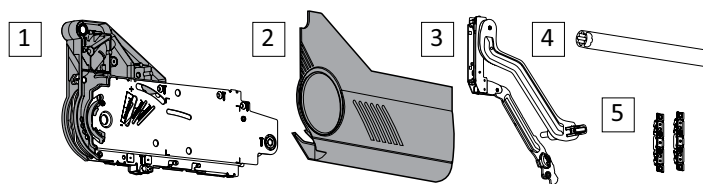
\*Internal Carcase Width

#### Door Bumper Position SERVO-DRIVE

To obtain the perfect motion AVENTOS HL works based on establishing cabinet height and door weight including handle in kg. The tables opposite are based on the height and weight ranges for 20 mm MDF door

### AVENTOS HL Sets

1. Mechanism 2 pieces
2. Cover Caps L+R
3. Lever Arms L+R
4. Stabiliser Bar
5. Front brackets 2 pieces



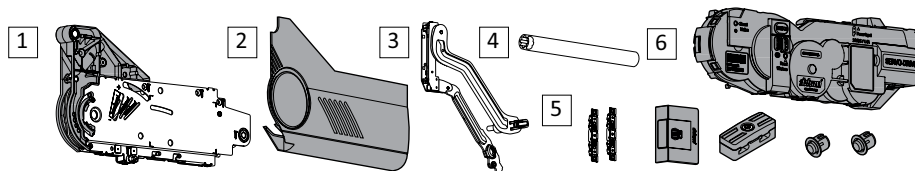
Blum AVENTOS HL Lift Up Set

Door Height	Cabinet Width (mm)					
	500 mm	600 mm	800 mm	900 mm	1000 mm	1200 mm
355 mm	B20L3550 (1.75 - 5.00 kg)	B20L3560 (1.75 - 5.00 kg)	B20L3580 (1.75 - 5.00 kg)	B20L3590 (4.25 - 9.00 kg)	B20L3510 (4.25 - 9.00 kg)	B20L3512 (4.25 - 9.00 kg)
400 mm	B20L4050 (2.75 - 6.75 kg)	B20L4060 (2.75 - 6.75 kg)	B20L4080 (2.75 - 6.75 kg)	B20L4090 (2.75 - 6.75 kg)	B20L4010 ☑ (5.75 - 11.75 kg)	B20L4012 ☑ (5.75 - 11.75 kg)
450 mm	B20L4550 (2.75 - 6.75 kg)	B20L4560 (2.75 - 6.75 kg)	B20L4580 (2.75 - 6.75 kg)	B20L4590 (2.75 - 6.75 kg)	B20L4510 ☑ (5.75 - 11.75 kg)	B20L4512 ☑ (5.75 - 11.75 kg)
500 mm	B20L5050 (2.75 - 6.75 kg)	B20L5060 (2.75 - 6.75 kg)	B20L5080 (2.75 - 6.75 kg)	B20L5090 ☑ (5.75 - 11.75 kg)	B20L5010 ☑ (5.75 - 11.75 kg)	B20L5012 ☑ (5.75 - 11.75 kg)

Based on 20 mm MDF Door. See page 3.11 for door weight guide

### AVENTOS HL SERVO-DRIVE Sets

1. Mechanism 2 pieces
2. Cover Caps L+R
3. Lever Arms L+R
4. Stabiliser Bar
5. Front brackets 2 pieces
6. SERVO-DRIVE set



Note: AVENTOS SERVO-DRIVE requires a transformer BZ10NE050SET see page 1.25.  
One transformer required per kitchen (Island units may require additional transformer).

Blum AVENTOS HL SERVO-DRIVE Lift Up Set

Door Height	Cabinet Width (mm)					
	500 mm	600 mm	800 mm	900 mm	1000 mm	1200 mm
355 mm	B21L3550 (1.75 - 5.00 kg)	B21L3560 (1.75 - 5.00 kg)	B21L3580 (1.75 - 5.00 kg)	B21L3590 (4.25 - 9.00 kg)	B21L3510 (4.25 - 9.00 kg)	B21L3512 (4.25 - 9.00 kg)
400 mm	B21L4050 (2.75 - 6.75 kg)	B21L4060 (2.75 - 6.75 kg)	B21L4080 (2.75 - 6.75 kg)	B21L4090 (2.75 - 6.75 kg)	B21L4010 ☑ (5.75 - 11.75 kg)	B21L4012 ☑ (5.75 - 11.75 kg)
450 mm	B21L4550 (2.75 - 6.75 kg)	B21L4560 (2.75 - 6.75 kg)	B21L4580 (2.75 - 6.75 kg)	B21L4590 (2.75 - 6.75 kg)	B21L4510 ☑ (5.75 - 11.75 kg)	B21L4512 ☑ (5.75 - 11.75 kg)
500 mm	B21L5050 (2.75 - 6.75 kg)	B21L5060 (2.75 - 6.75 kg)	B21L5080 (2.75 - 6.75 kg)	B21L5090 ☑ (5.75 - 11.75 kg)	B21L5010 ☑ (5.75 - 11.75 kg)	B21L5012 ☑ (5.75 - 11.75 kg)

Based on 20 mm MDF Door. See page 3.11 for door weight guide

# LIFT FITTINGS

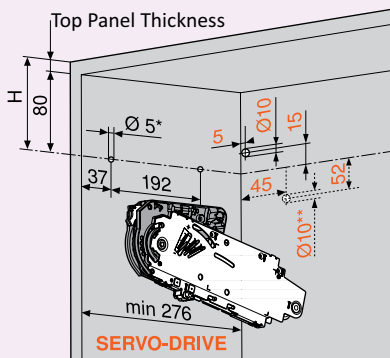
## Blum AVENTOS Program: AVENTOS HS



### Blum AVENTOS HS Up and Over lift

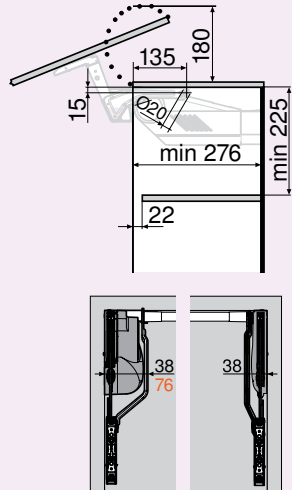
- Integrated BLUMOTION soft close and opening
- Easy assembly
- Cabinet widths up to 1800mm
- Cabinet heights from 350mm - 800mm
- Standard CLIP technology for fronts
- Full 3 - way adjustment
- Minimum internal depth 276mm
- Adjustment for door weight with easy calibration
- Door can be stopped in any position
- No protruding parts for safety and easy transport

#### Drilling Position

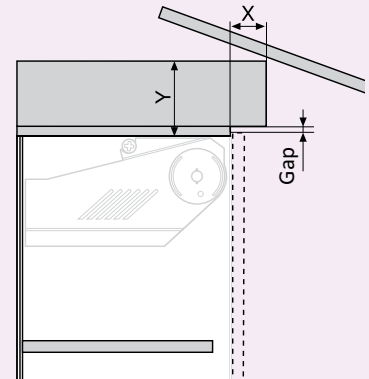


- \* Drill depth 5 mm
- \*\* Alternative drilling

#### Space Requirement

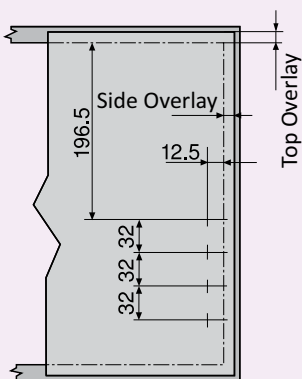


#### Cornice Clearance

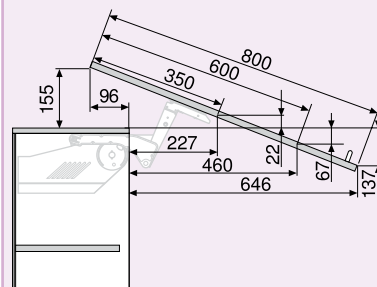


Gap (mm)	3.0	2.0	1.5
X Max (mm)	35	31	28
Y Max (mm)	101	101	101

#### Front Fixing Position



#### Front Settings (Dependant on tilt adjustment)



#### Round Stabiliser Bar 1061 mm



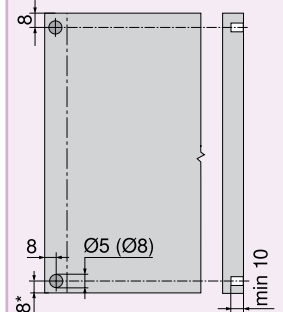
Cut to Suit

Standard: ICW\*-129

SERVO DRIVE: ICW\*-164

\*Internal Carcase Width

#### Door Bumper Position SERVO-DRIVE

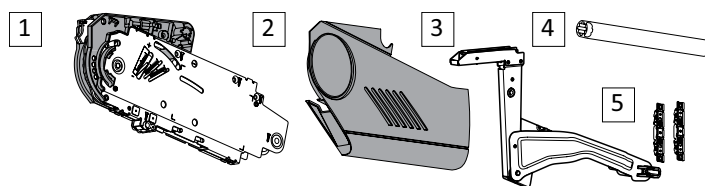


To obtain the perfect motion AVENTOS HS works based on establishing cabinet height and door weight including handle in kg. The tables opposite are based on the height and weight ranges for 20 mm MDF door



### AVENTOS HS Sets

1. Mechanism 2 pieces
2. Cover Caps L+R
3. Lever Arms L+R
4. Stabiliser Bar
5. Front brackets 2 pieces



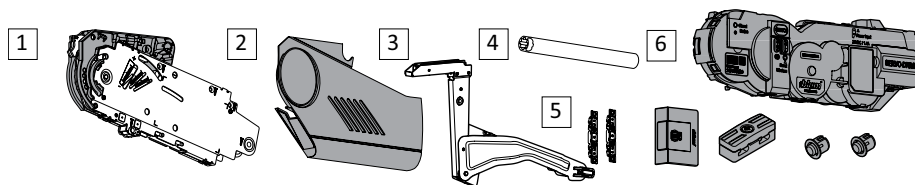
Blum AVENTOS HS Up and Over Lift Set

Door Height	Cabinet Width (mm)					
	500 mm	600 mm	800 mm	900 mm	1000 mm	1200 mm
355 mm	B20S3550 (2.00-4.75 kg)	B20S3560 (2.00 - 4.75 kg)	B20S3580 (2.00 - 4.75 kg)	B20S3590 (4.50 - 9.50 kg)	B20S3510 (4.50 - 9.25 kg)	B20S3512 (4.50 - 9.25 kg)
450 mm	B20S4550 (2.25-4.25 kg)	B20S4560 (4.00 - 8.50 kg)	B20S4580 (4.00 - 8.50 kg)	B20S4590 (4.00 - 8.50 kg)	B20S4510 (4.00 - 8.50 kg)	B20S4512 🗨️ (8.00 - 13.75 kg)
570 mm	B20S5750 (3.00 - 6.25 kg)	B20S5760 (3.00 - 6.25 kg)	B20S5780 🗨️ (5.75 - 12.00 kg)	B20S5790 🗨️ (5.75 - 12.00 kg)	B20S5710 🗨️ (5.75 - 12.00 kg)	B20S5712 🗨️ (5.75 - 12.00 kg)
715 mm	B20S7150 (3.50 - 7.50 kg)	B20S7160 (3.50 - 7.50 kg)	B20S7180 (6.75 - 13.00 kg)	B20S7190 (6.75 - 13.00 kg)	B20S7110 (6.75 - 13.00 kg)	B20S7112 (12.00 - 21kg)

Based on 20 mm MDF Door. See page 3.11 for door weight guide

### AVENTOS HS SERVO-DRIVE Sets

1. Mechanism 2 pieces
2. Cover Caps L+R
3. Lever Arms L+R
4. Stabiliser Bar
5. Front brackets 2 pieces
6. SERVO-DRIVE set



Note: AVENTOS SERVO-DRIVE requires a transformer BZ10NE050SET see page 1.25.  
One transformer required per kitchen (Island units may require additional transformer).

Blum AVENTOS HS SERVO-DRIVE Up and Over Lift Set

Door Height	Cabinet Width (mm)					
	500 mm	600 mm	800 mm	900 mm	1000 mm	1200 mm
355 mm	B21S3550 (2.00-4.75 kg)	B21S3560 (2.00 - 4.75 kg)	B21S3580 (2.00 - 4.75 kg)	B21S3590 (4.50 - 9.50 kg)	B21S3510 (4.50 - 9.25 kg)	B21S3512 (4.50 - 9.25 kg)
450 mm	B21S4550 (2.25-4.25 kg)	B21S4560 (4.00 - 8.50 kg)	B21S4580 (4.00 - 8.50 kg)	B21S4590 (4.00 - 8.50 kg)	B21S4510 (4.00 - 8.50 kg)	B21S4512 🗨️ (8.00 - 13.75 kg)
570 mm	B21S5750 (3.00 - 6.25 kg)	B21S5760 (3.00 - 6.25 kg)	B21S5780 🗨️ (5.75 - 12.00 kg)	B21S5790 🗨️ (5.75 - 12.00 kg)	B21S5710 🗨️ (5.75 - 12.00 kg)	B21S5712 🗨️ (5.75 - 12.00 kg)
715 mm	B21S7150 (3.50 - 7.50 kg)	B21S7160 (3.50 - 7.50 kg)	B21S7180 (6.75 - 13.00 kg)	B21S7190 (6.75 - 13.00 kg)	B21S7110 (6.75 - 13.00 kg)	B21S7112 (12.00 - 21kg)

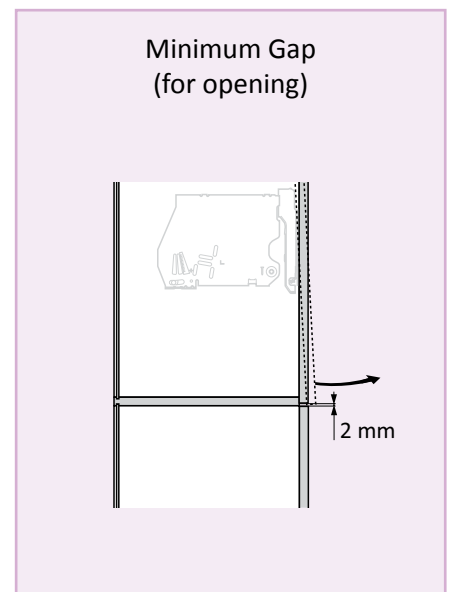
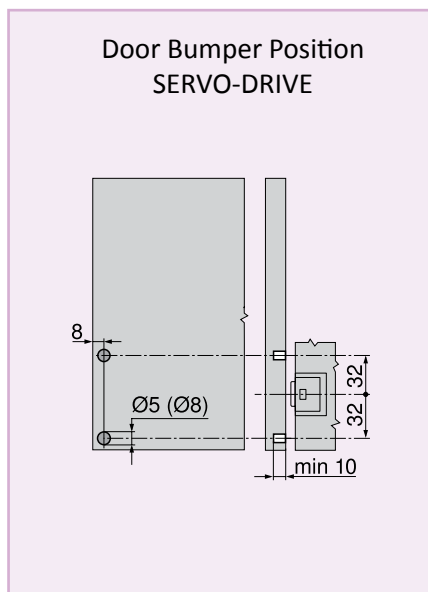
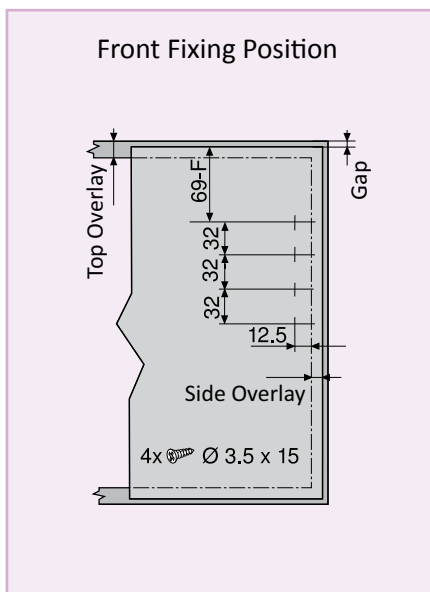
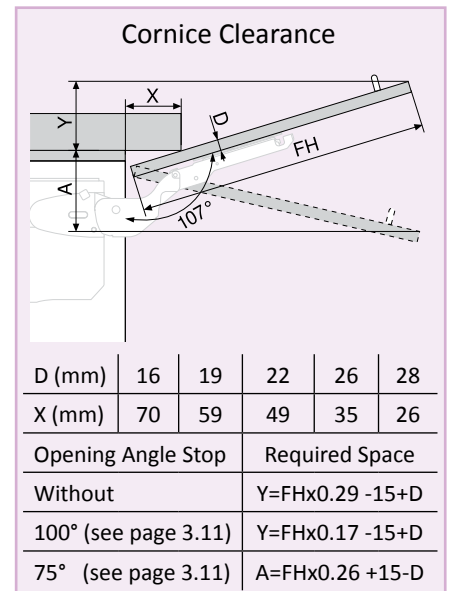
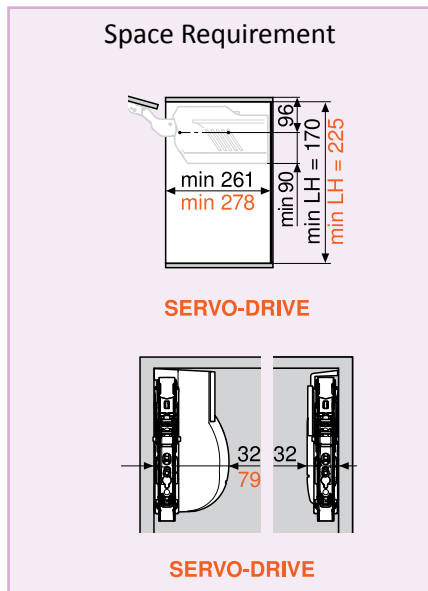
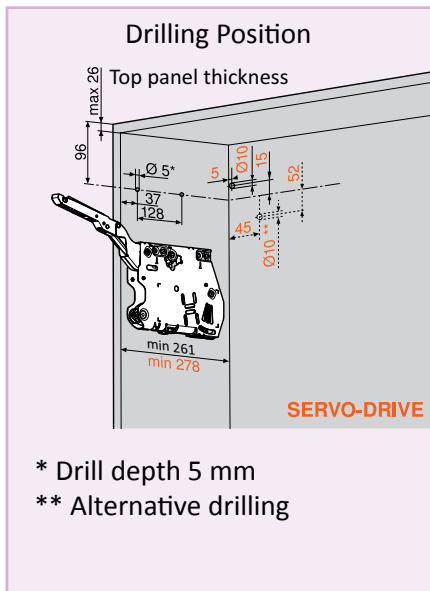
Based on 20 mm MDF Door. See page 3.11 for door weight guide

## Blum AVENTOS Program: AVENTOS HK



### Blum AVENTOS HK Stay Lift

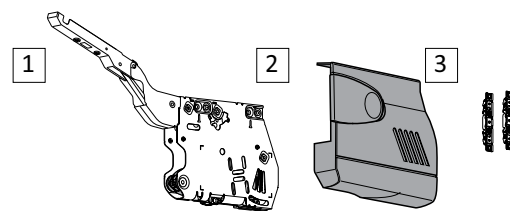
- Soft Closing and soft opening action
- Variable stop position
- Fast easy assembly using clip technology
- Small Programme huge application variety
- Suitable for wall cabinets with cornice
- Excellent durability
- Simple and fast tension adjustment for optimum action
- Minimum cabinet depth 278 mm
- No protruding parts for safe and easy transport
- Narrow telescopic arm for maximum storage within the cabinet
- New SERVO Drive for AVENTOS, the electrical motion support for wall cabinets



NOTE: To obtain the perfect motion AVENTOS HK works on Power Factor (PF).  $PF = \text{Cabinet height} \times \text{door weight including double handle weight in kg}$ . The tables opposite assume the optimum PF based on 20 mm MDF Door

### AVENTOS HK Sets

1. Mechanism 2 pieces
2. Cover Caps L+R
3. Front brackets 2 pieces



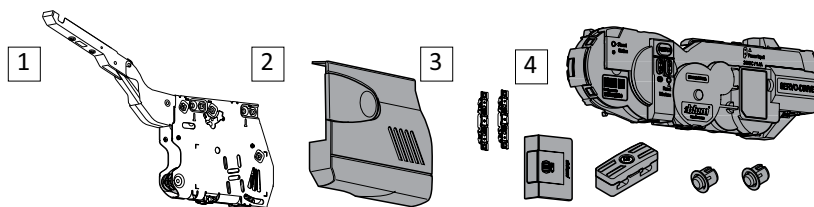
Blum AVENTOS HK Lift Up Set

Door Height	Cabinet Width (mm)					
	500 mm	600 mm	800 mm	900 mm	1000 mm	1200 mm
283 mm	B20K2850 (480-1500 PF*)	B20K2860 (750-2500 PF*)	B20K2880 (750-2500 PF*)	B20K2890 (750-2500 PF*)	B20K2810 (750-2500 PF*)	B20K2812 (750-2500 PF*)
355 mm	B20K3550 (750-2500 PF*)	B20K3560 (750-2500 PF*)	B20K3580 (750-2500 PF*)	B20K3590 (750-2500 PF*)	B20K3510 (1500-4900 PF*)	B20K3512 (1500-4900 PF*)
400 mm	B20K4050 (750-2500 PF*)	B20K4060 (750-2500 PF*)	B20K4080 (1500-4900 PF*)	B20K4090 (1500-4900 PF*)	B20K4010 (1500-4900 PF*)	B20K4012 (1500-4900 PF*)
450 mm	B20K4550 (750-2500 PF*)	B20K4560 (1500-4900 PF*)	B20K4580 (1500-4900 PF*)	B20K4590 (1500-4900 PF*)	B20K4510 (1500-4900 PF*)	B20K4512 (1500-4900 PF*)

Based on 20 mm MDF Door. PF\* = Power Factor. Power factor guide see page 3.11

### AVENTOS HK SERVO-DRIVE Sets

1. Mechanism 2 pieces
2. Cover Caps L+R
3. Front brackets 2 pieces
4. SERVO-DRIVE set



Note: AVENTOS SERVO-DRIVE requires a transformer BZ10NE050SET see page 1.25.  
One transformer required per kitchen (Island units may require additional transformer).

Blum AVENTOS HK SERVO-DRIVE Lift Up Set

Door Height	Cabinet Width (mm)					
	500 mm	600 mm	800 mm	900 mm	1000 mm	1200 mm
283 mm	B21K2850 (480-1500 PF*)	B21K2860 (750-2500 PF*)	B21K2880 (750-2500 PF*)	B21K2890 (750-2500 PF*)	B21K2810 (750-2500 PF*)	B21K2812 (750-2500 PF*)
355 mm	B21K3550 (750-2500 PF*)	B21K3560 (750-2500 PF*)	B21K3580 (750-2500 PF*)	B21K3590 (750-2500 PF*)	B21K3510 (1500-4900 PF*)	B21K3512 (1500-4900 PF*)
400 mm	B21K4050 (750-2500 PF*)	B21K4060 (750-2500 PF*)	B21K4080 (1500-4900 PF*)	B21K4090 (1500-4900 PF*)	B21K4010 (1500-4900 PF*)	B21K4012 (1500-4900 PF*)
450 mm	B21K4550 (750-2500 PF*)	B21K4560 (1500-4900 PF*)	B21K4580 (1500-4900 PF*)	B21K4590 (1500-4900 PF*)	B21K4510 (1500-4900 PF*)	B21K4512 (1500-4900 PF*)

Based on 20 mm MDF Door. PF\* = Power Factor. Power factor guide see page 3.11

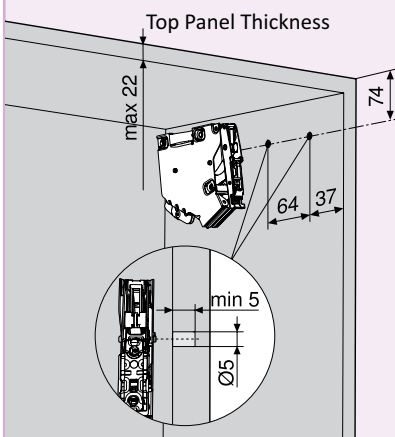
## Blum AVENTOS Program: AVENTOS HK-S



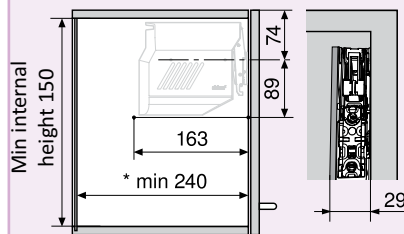
### AVENTOS HK-S Stay Lift for small - Mid Doors

- Specifically for small stay lifts
- Soft Closing and soft opening action
- Variable stop position
- Fast easy assembly using clip technology
- Small Programme huge application variety
- Suitable for wall cabinets with cornice
- Excellent durability
- Simple and fast tension adjustment for optimum action
- Minimum cabinet depth 240mm
- No protruding parts for safe and easy transport

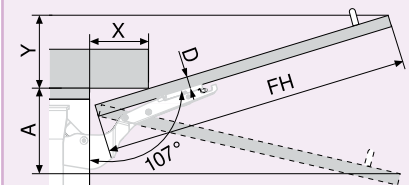
#### Drilling Position



#### Space Requirement

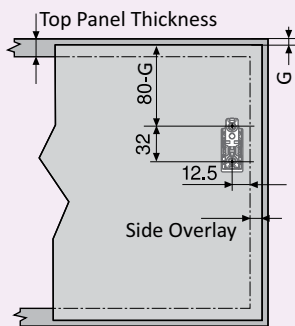


#### Cornice Clearance

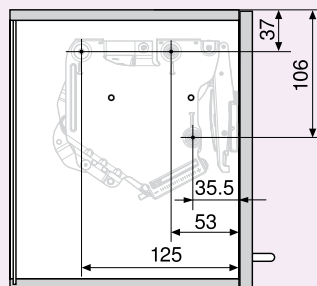


D (mm)	16	19	22	26	28
X (mm)	70	59	49	35	26
Opening Angle Stop	Required Space				
Without	$Y = FH \times 0.29 - 15 + D$				
100° (see page 3.11)	$Y = FH \times 0.17 - 15 + D$				
75° (see page 3.11)	$A = FH \times 0.26 + 15 - D$				

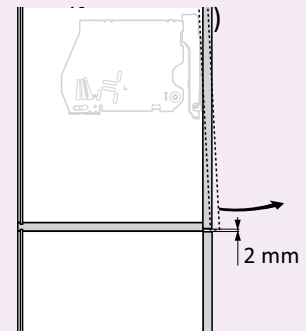
#### Front Fixing Position



#### Side Fixing Position



#### Minimum Gap



#### Blum AVENTOS HK-S

Art. No.	Description	Required
B20K2E00	HK-S Max Spring 960 -2215 PF	2 pieces
B20K4A01	HK-S Front Brkts Screw On*	2 pieces
B20K4AE1	HK-S Front Brkts EXPANDO*	2 pieces

\*Choose from Screw On or EXPANDO front brackets

#### Blum AVENTOS HK-S Application

Door Height	Cabinet Width (mm)			
	600	800	900	1000
283 mm	n/a	n/a	O	O
355 mm	O	O	O	O
400 mm	O	O	n/a	n/a

Based on MDF Door weight guide (see page 3.11)

## Blum AVENTOS Program

## Door Weight / Power Factor Guide

Weight in KG is based on 20 mm MDF Doors



Power Factor<sup>1</sup> Aventos HK (Page 3.08) = Cabinet height (mm) X Door Weight including double handle weight (kg)

Power Factor<sup>2</sup> Aventos HF (Page 3.02) = Cabinet height (mm) X combined Door Weight including handle weight (kg)

Blum AVENTOS Program Door Weight and Power Factor Guide

Door Height		Cabinet Width (mm)					
		500	600	800	900	1000	1200
283 mm	Weight KG	2.13	2.56	3.42	3.85	4.28	5.14
	Power Factor Required <sup>1</sup>	757	881	1129	1253	1377	1624
	Power Factor Required <sup>2</sup>	2615	2114	4112	4611	5110	6108
355 mm	Weight KG	2.67	3.21	4.29	4.83	5.37	6.45
	Power Factor Required <sup>1</sup>	1142	1336	1724	1919	2113	2501
	Power Factor Required <sup>2</sup>	4049	4830	6393	7174	7955	9518
400 mm	Weight KG	3.01	3.62	4.83	5.44	6.05	7.27
	Power Factor Required <sup>1</sup>	1421	1668	2160	2406	2653	3145
	Power Factor Required <sup>2</sup>	5103	6093	8073	9062	10052	12032
450 mm	Weight KG	3.39	4.07	5.44	6.12	6.81	8.17
	Power Factor Required <sup>1</sup>	1768	2079	2702	3013	3324	3947
	Power Factor Required <sup>2</sup>	6418	7668	10169	11419	12670	15170
570 mm	Weight KG	4.29	5.16	6.89	7.75	8.62	10.35
	Power Factor Required <sup>1</sup>	2753	3252	4248	4756	5244	6241
	Power Factor Required <sup>2</sup>	n/a	n/a	n/a	n/a	n/a	n/a
715 mm	Weight KG	5.38	6.47	8.64	9.73	10.81	12.99
	Power Factor Required <sup>1</sup>	3873	4656	6221	7003	7786	n/a
	Power Factor Required <sup>2</sup>	n/a	n/a	n/a	n/a	n/a	n/a

Blum AVENTOS HF Bi-Fold Lift - Opening Angle Stop

Art. No.	Description
B20F7051 	Blum AVENTOS HF Bi-Fold Lift Opening Angle Stop 104°
B20F7011 	Blum AVENTOS HF Bi-Fold Lift Opening Angle Stop 83°

Blum AVENTOS HK Stay Lift - Opening Angle Stop

Art. No.	Description
B20K7041 	Blum AVENTOS HK Stay Lift Opening Angle Stop 100°
B20F7011 	Blum AVENTOS HK Stay Lift Opening Angle Stop 75°

## Kesseböhmer Lift Systems



### EWIVA Microwave Lift

- Easy assembly and adjustment
- Provides excellent access to the cabinet interior
- Ideal for concealing microwave
- Easily adjustable for a variety of door weights
- Soft silent action
- Integrated Soft Stopp dampening
- Snap on door connection
- Tool free adjustment of door front
- Suitable for 600 to 1200 cabinet widths



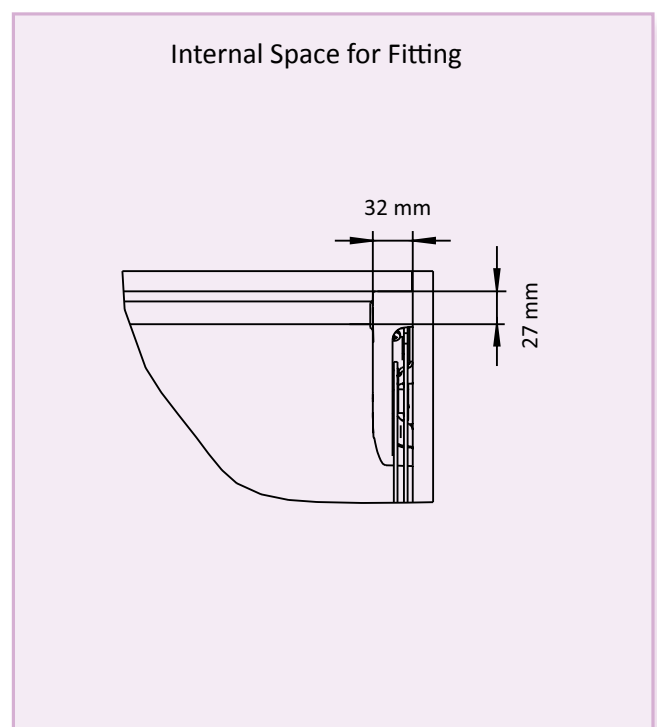
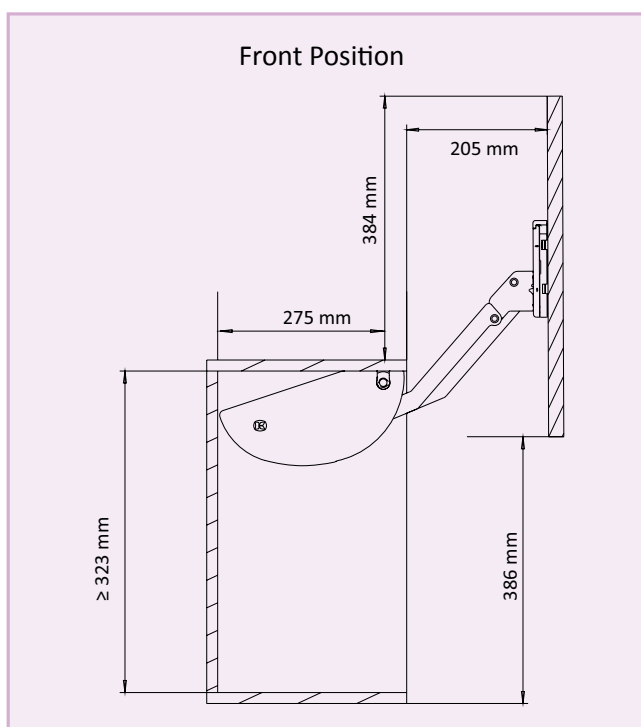
1. Install the fitting...



2. Front is held in position...



3. Front simply clicks on...



### EWIVA Microwave Lift

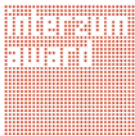
- Complete kit includes:
  - Mechanism: 2 pieces
  - Cover Caps, Left & Right
  - Front brackets: 2 pieces
  - Stabiliser cross bar



Kessebohmer EWIVA Microwave Lift

Door Height	600 mm	800 mm *	900 - 1200 mm *
355 - 450 mm	K1560	K1580	K1590

\* = Cross stabiliser bar is cut-to-suit



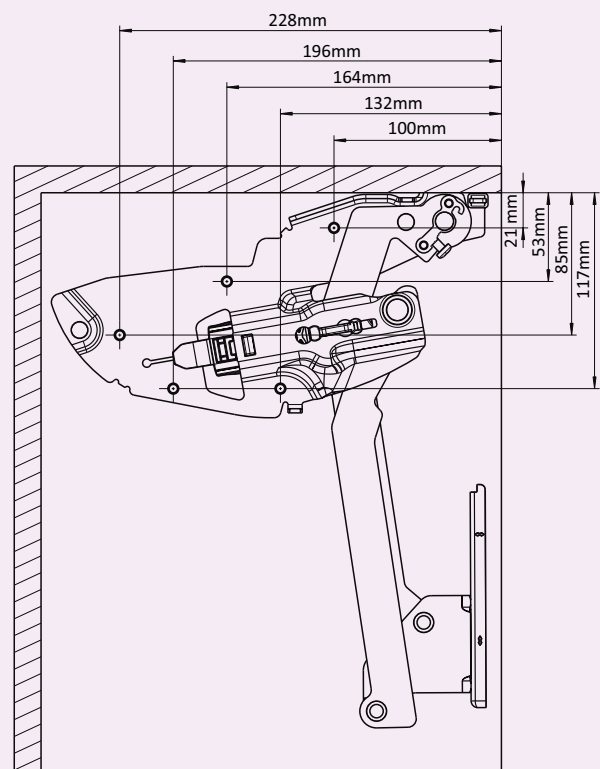
interzum award:  
intelligent  
material & design  
2009



ClickFixx



Fixing Positions



## Kesseböhmer Lift Systems



### DUO Stay Lift

- Flap support for small- to medium size doors
- Opening angle: 75°, 90° and 110°
- For fitting left or right
- For use in conjunction with Blum hinges
- Shallow internal cabinet depth
- Adjustable tension

### Kesseböhmer Duo Stay Lift

Art. Number	Description
K271546	Kesseböhmer Duo Stay Lift

### Kesseböhmer Duo Stay Lift - Fitting Dimensions

Side View

Front View

Internal Depth

Measurement	Opening Angle		
	75°	90°	110°
X	160	160	128
Y	132	90	92
ICD	> 135	> 133	> 133

