



Contents



LIGHT SYSTEMS

HD LED Lights
Recessed Lights
Surface Lights
Plinth Lights

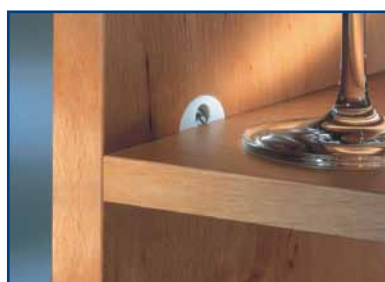
9.01



SUPPORT SYSTEMS

Cabinet Supports
Shelf Supports
Glass Supports

9.13



ASSEMBLY FITTINGS

Screws
Knock Down Fittings
Cam & Dowel Fittings
Drill Bits

9.19



MISCELLANEOUS FITTINGS

Door Buffers
Legs & Counter Supports
Wardrobe Rail
Cover Caps
Cable Outlets

9.27



LOCK PROGRAM

Timber Locks
Roller Shutter Locks
Glass Door Locks
Specialised Locks

9.33

Recessed Lights

Recessed Light HD LED

Art. No.	Diameter	Watts	Lamp Finish	Packing
SE9005HDK2	65mm	1.7W	Cool White	2 x Lamps + Transformer
SE9005HDK2WW	65mm	1.7W	Warm White	2 x Lamps + Transformer
SE9005HDK3	65mm	1.7W	Cool White	3 x Lamps + Transformer
SE9005HDK3WW	65mm	1.7W	Warm White	3 x Lamps + Transformer

HD LED



Finish : Aluminium

Recessed Light LED

Art. No.	Diameter	Watts	Lamp Finish	Packing
SE11025SSWHK2	70mm	1.4W	White*	2 x Lamps + Transformer
SE11025SSWHK3	70mm	1.4W	Warm White*	2 x Lamps + Transformer

*Also available in Chrome finish and Blue LED Diodes by special order

LED



Finish : Stainless Steel*

Recessed Light GX53

Art. No.	Diameter	Watts	Lamp Finish	Packing
SE11145SS	84mm	7W	White	1 x Lamp + 1 x Housing

GX53



Finish : Stainless Steel

Recessed Light Halogen

Art. No.	Diameter	Watts	Lamp Finish	Packing
SE10020SSK2	70mm	20W	Halogen	2 x Lamps + Transformer
SE10020SSK3	70mm	20W	Halogen	3 x Lamps + Transformer
SE10020CHK2	70mm	20W	Halogen	2 x Lamps + Transformer
SE10020CHK3	70mm	20W	Halogen	3 x Lamps + Transformer

Halogen



Finish : Stainless Steel or Chrome

Tri Lights

HD LED + Sensor



Aluminium Tri Light

Art. No.	Dimensions	Watts	Lamp Finish	Packing
SE9001HDSK2	140x145x20	2.15W	Cool White	2 x Lamps + Transformer
SE9001HDSK2WW	140x145x20	2.15W	Warm White	2 x Lamps + Transformer
SE9001HDSK3	140x145x20	2.15W	Cool White	3 x Lamps + Transformer
SE9001HDSK3WW	140x145x20	2.15W	Warm White	3 x Lamps + Transformer

HD LED



Aluminium Tri Light

Art. No.	Dimensions	Watts	Lamp Finish	Packing
SE9001HDK2	140x145x20	1.65W	Cool White	2 x Lamps + Transformer
SE9001HDK2WW	140x145x20	1.65W	Warm White	2 x Lamps + Transformer
SE9001HDK3	140x145x20	1.65W	Cool White	3 x Lamps + Transformer
SE9001HDK3WW	140x145x20	1.65W	Warm White	3 x Lamps + Transformer

LED



Stainless Steel Tri Light

Art. No.	Dimensions	Watts	Lamp Finish	Packing
SE11010SSWHK2	140x140x50	1.4W	White	2 x Lamps + Transformer
SE11010SSWHK3	140x140x50	1.4W	White	3 x Lamps + Transformer

GX53



Stainless Steel Tri Light

Art. No.	Dimensions	Watts	Lamp Finish	Packing
SE11147SS	185x155x50	7W	White	1 x Lamp + 1 x Housing

Halogen



Stainless Steel Tri Light

Art. No.	Dimensions	Watts	Lamp Finish	Packing
SE10010SSK2	140x140x50	20W	Halogen	2 x Lamps + Transformer
SE10010SSK3	140x140x50	20W	Halogen	3 x Lamps + Transformer

Aluminium Surface Light

Art. No.	Dimensions	Watts	Lamp Finish	Packing
SE9005HDK2	65.5 x 10.5	1.7W	Cool White	2 x Lamps + Transformer
SE9005HDK2WW	65.5 x 10.5	1.7W	Warm White	2 x Lamps + Transformer
SE9005HDK3	65.5 x 10.5	1.7W	Cool White	3 x Lamps + Transformer
SE9005HDK3WW	65.5 x 10.5	1.7W	Warm White	3 x Lamps + Transformer

HD LED



Aluminium Surface Light

Art. No.	Dimensions	Watts	Lamp Finish	Packing
SE9007HDK2	65x65x6	1.25W	White	2 x Lamps + Transformer
SE9007HDK3	65x65x6	1.25W	White	3 x Lamps + Transformer

Square HD LED



Aluminium Surface Light

Art. No.	Dimensions	Watts	Lamp Finish	Packing
SE9010HDK2	74 x 4	1.25W	Cool White	2 x Lamps + Transformer
SE9010HDK2WW	74 x 4	1.25W	Warm White	2 x Lamps + Transformer
SE9010HDK3	74 x 4	1.25W	Cool White	3 x Lamps + Transformer
SE9010HDK3WW	74 x 4	1.25W	Warm White	3 x Lamps + Transformer

HD LED Flat Disc



Surface Lights

HD LED Bar Light with Sensor



Aluminium Surface Light

Art. No.	Dimensions	Watts	Lamp Finish	Packing
SE9020HD	750x68x15	5.4W	White	3 x Lamp + 1 x Light Bar

LED



Stainless Steel Surface Light

Art. No.	Diameter	Watts	Lamp Finish	Packing
SE11025SSWHK2	72 diam x 24	1.4W	White*	2 x Lamps + Transformer
SE11025SSWHK3	72 diam x 24	1.4W	White*	3 x Lamps + Transformer

*Also available in Chrome finish with Blue LED Diodes Or Stainless Steel with white lamps by special Order.

GX53



Stainless Steel Surface Light

Art. No.	Dimensions	Watts	Lamp Finish	Packing
SE11146SS	95 diam x 30	7W	White	1 x Lamp + 1 x Housing

Halogen



Stainless Steel or Chrome Surface Light

Art. No.	Dimensions	Watts	Lamp Finish	Packing
SE10030CHK2	72 diam x 24	20W	Halogen	2 x Lamps + Transformer
SE10030CHK3	72 diam x 24	20W	Halogen	3 x Lamps + Transformer
SE10030SSK2	72 diam x 24	20W	Halogen	2 x Lamps + Transformer
SE10030SSK3	72 diam x 24	20W	Halogen	3 x Lamps + Transformer

HD LED Slideline with Sensor

The HD LED Slideline system comes in 3 different widths; 600 mm, 900 mm and 1,200 mm. Once fixed the lamps can be easily moved along the track to ensure light is directed exactly where it is required

Depending on the track length, Slideline comes with 2,3 or 4 HD LED lights. Additional lights can be easily added to the track.



Finish: Aluminium

HD LED Slideline				
Art. No.	Dimensions	Watts	Lamp Finish	Packing
SE9052	600 x 45 x 30	1.7W	48 Diodes	2 x Lamps c/w Driver
SE9053	900 x 45 x 30	1.7W	72 Diodes	3 x Lamps c/w Driver
SE9054	1200 x 45 x 30	1.7W	96 Diodes	4 x Lamps c/w Driver

HD LED Drawer Light

The battery operated* HD LED Drawer light can be easily fitted to the back of a drawer front or to the cabinet.

There are 2 function settings for use. The first setting illuminates the light upon opening the drawer and switches off when closed. The second setting will turn on the light by simply passing your hand in front of the light and repeating this process to switch it off.



*= 4 x AAA Batteries are Not Supplied

HD LED Drawer Light				
Art. No.	Dimensions	Power	Lamp Finish	Packing
SE9030HD	303 x 17 x 14	4 x AAA	White	1 x Battery Operated Lamp

Plinth & Decking Lights

Square Plinth HD LED



Aluminium Plinth Light

Art. No.	Dimensions	Watt	Lamp Finish	Packing
SE9040HDWHK4	36 x 36	1W	White	4 x Super Bright LED

Round Plinth HD LED



Aluminium Plinth Light

Art. No.	Dimensions	Watt	Lamp Finish	Packing
SE9041HDWHK4	30 x 30	1W	White	4 x Super Bright LED

Square Plinth LED



Satin Chrome Plinth Light

Art. No.	Dimensions	Watt	Lamp Finish	Packing
SE10133WH	45 x 45	1W	White	4 x White LED's
SE10133BL	45 x 45	1W	Blue	4 x Blue LED's

Decking IP67 LED



Stainless Steel Plinth Light

Art. No.	Dimensions	Watt	Lamp Finish	Packing
SE10195WH	30 x 30	1W	White	10 x LED's + All Cables
SE10195BL	30 x 30	1W	Blue	10 x LED's + All Cables

Square Plinth HD LED



Satin Chrome Plinth Light

Art. No.	Dimensions	Watt	Lamp Finish	Packing
SE10135WHK4	36 x 36	1W	White	4 x Super Bright LED

Round Plinth HD LED



Satin Chrome Plinth Light

Art. No.	Dimensions	Watt	Lamp Finish	Packing
SE10136WHK4	30 x 30	1W	White	4 x Super Bright LED

Oval Plinth HD LED



Satin Chrome Plinth Light

Art. No.	Dimensions	Watt	Lamp Finish	Packing
SE10137WHK4	31 x 41	1W	White	4 x Super Bright LED

Halogen Lights

Round Halogen



Finish: Satin Chrome

Round Glass Light

Art. No.	Dimensions	Watt	Lamp Finish	Packing
SE10061SCK3	155 x 150 x 63	20W	White	3 x Round lights

Triangle Halogen



Finish: Satin Chrome

Triangle Glass Light

Art. No.	Dimensions	Watt	Lamp Finish	Packing
SE10060SCK3	183 x 183 x 63	20W	White	3 x Triangle lights

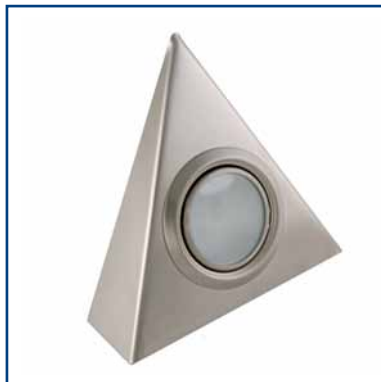
Halogen



Stainless Steel or Chrome Surface Light

Art. No.	Dimensions	Watts	Lamp Finish	Packing
SE10030CHK2	72 diam x 24	20W	Halogen	2 x Lamps + Transformer
SE10030CHK3	72 diam x 24	20W	Halogen	3 x Lamps + Transformer
SE10030SSK2	72 diam x 24	20W	Halogen	2 x Lamps + Transformer
SE10030SSK3	72 diam x 24	20W	Halogen	3 x Lamps + Transformer

Halogen



Stainless Steel Tri Light

Art. No.	Dimensions	Watts	Lamp Finish	Packing
SE10010SSK2	140x140x50	20W	Halogen	2 x Lamps + Transformer
SE10010SSK3	140x140x50	20W	Halogen	3 x Lamps + Transformer

LED Strip Light

Art. No.	Dimensions	Watts	Lamp Finish	Packing
SE12250	250 x 36 x 32	2.7W	White	1 x Lamps
SE12330	330 x 36 x 32	3.6W	White	1 x Lamps
SE12550	550 x 36 x 32	6.8W	White	1 x Lamps

LED STRIP LIGHT



Finish: White

T5 Strip Light

Art. No.	Dimensions	Watts	Lamp Finish	Packing
SE10230	271 x 20 x 45	6W	White	1 x Lamp
SE10231	347 x 20 x 45	8W	White	1 x Lamp
SE10232	577 x 20 x 45	13W	White	1 x Lamp
SE10234	908 x 20 x 45	21W	White	1 x Lamp
SE10235	1208 x 20 x 45	28W	White	1 x Lamp

T5 STRIP LIGHT



Finish: White

HD LED Over Cabinet Light

Art. No.	Dimensions	Watt	Lamp Finish	Packing
SE9015HDK3	250 x 340 x 15	1.65W	White	3 x Lamp

HD LED OVER CABINET LIGHT



Finish: Aluminium

Halogen Swan Light

Art. No.	Dimensions	Watt	Lamp Finish	Packing
SE10111SSWHK3	350 x 50 x 140	20W	Halogen	3 x Swan Lights

HALOGEN SWAN LIGHT



Finish: Stainless Steel

LED Strip & LED Motion Sensor

FLEXIBLE LED STRIP



The Flexible LED Strip can be fitted in numerous locations:

- Below base cabinets (illuminating the floor area)
- On top of wall cabinets (illuminating the walls)
- Below wall cabinets (illuminating the worktop)
- On top of the worktop (illuminating the work area)
- Inside cabinets (illuminating the cabinet contents)

Flexible Strip lighting allows the 2 metre strip to bend and curve around furniture, making it very popular on curved island units. With a 50,000 hour lamp life, the Flexible Strip light can be cut to length at 80mm intervals also be used with the LED Motion Sensor.



LED Flexible Strip

Art. No.	Dimensions	Watt	Lamp Finish	Packing
SE10311BLK1	2000 x 8 x 6	5W	Blue	2 m Strip + 15W Driver
SE10311WHK1	2000 x 8 x 6	5W	White	2 m Strip + 15W Driver

HD LED Motion Sensor

The HD LED Motion Sensor is an optional accessory that can be used with all HD LED Lights and Flexible Strip Lights.

The slim design provides an unobtrusive setting in the cabinet.

There are two function settings for use. The first setting illuminates the light upon opening the drawer and switches off when closed. The second setting will turn on the light and repeating this process to switch it off.

Suitable HD LED lights that work with the Motion Sensor



HD LED Motion Sensor

Art. No.	Dimensions	Packing
SE40516	63 x 11	1 x Motion Sensor

Sensio Power Pod



The Sensio Power Pod offers a new advance in pop-up socket technology.

With a customised handle for easy opening and closing, the Power Pod will allow cables to pass through the surface, even when in the closed position

In addition to three power sockets the power pod has two USB connections which allows the user to charge phones, digital MP3 Players and even digital photo frames.

Each USB port has a load capacity of 500mA current and PowerPod features a built in safety switch to prevent any overload



The unique handle design features a quick release catch which ensures consistent, secure closing and durability. This handle is also designed to allow the PowerPod to be fully closed even while appliances remain plugged in.

Designed to maximise space, Powerpod can be installed anywhere in a kitchen, even around a sink as it is IP54 rated and features built in water channels to filter any splashes away. The required cut out hole for the PowerPod is 90-92mm.



Aluminium Top



Black Nickel Top



Brass Top



Chrome Top



Stainless Steel Top

Power Pod

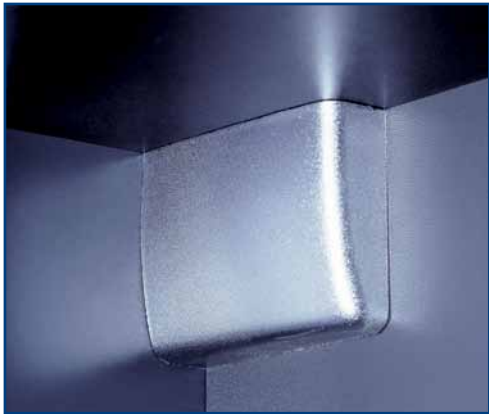
Art. No.	Dimensions	Finish	Packing
SE80050AL	Height-Open 343mm - Diam 100mm	Aluminium	1
SE80050BN	Height-Open 343mm - Diam 100mm	Black Nickel	1
SE80050BR	Height-Open 343mm - Diam 100mm	Brass	1
SE80050CH	Height-Open 343mm - Diam 100mm	Chrome	1
SE80050SS	Height-Open 343mm - Diam 100mm	Stainless Steel	1





Support Systems

HT 40 Wall Cabinet Hanger



- Easy mounting with 4mm screws or pre-fitted dowels 10mm diameter
- Extra stability due to steel construction
- Weight Capacity of 130kg per cabinet
- Easy fine adjustment due to metric thread
- Clearance required: 15mm behind rear panel
- Depth adjustment range 15mm
- Height adjustment range 16mm
- Side adjustment range 18mm
- Rear panel cut out 29.5mm high x 12.5mm wide
- Cover cap in various finishes
- Left and right handed



Fast, precise adjustment even at an oblique angle

Metal Suspension Fitting with Plastic Cover Cap

	Left Hand	Right Hand
Screw On	HT40SL	HT40SR
Dowel On	HT40DL	HT40DR
Cover Cap Beige	HT40LBE	HT40RBE
Cover Cap Brown	HT40LBR	HT40RBR
Cover Cap White	HT40LWH	HT40RWH

HT 62 Wall Cabinet Hanger



- Concealed mounting behind rear panel
- Extra Stability due to steel construction
- Weight capacity of 130kg per cabinet
- Clearance required: 16mm behind rear panel
- Depth adjustment up to 21mm
- Height adjustment range 15mm
- Side adjustment range of 16mm
- Additional option of screw fixing under extreme loads
- Adjustment from inside or outside of cabinet
- 2 holes required in panel for inside adjustment
- Holes in panel covered by small plastic caps
- 3 x10mm diameter holes at 32mm centers of fixing
- Left and right handed



Caps inside the cabinet conceal the adjustment screws

Concealed Cabinet Hanger

Type	Code
Left Hand	HT6210L
Right Hand	HT6210R
Cover Cap White	HT62CCWH

Wall Cabinet Support

Wall Plate for Suspension Fitting

Length	Cabinet Width	Art. No.	Packing
130mm	Independent	JD7885	250

WALL PLATE FITTING



Hammer Fix

Art. No.	Sizes	Packing
JD6618/6/40	6x40mm	100 / 1000
JD6618/6/60	6x60mm	100 / 600
JD6618/6/80	6x80mm	100 / 600
JD6618/8/60	8x60mm	100 / 600
JD6618/8/80	8x80mm	50 / 300
JD6618/8/100	8x100mm	50 / 300
JD6618/8/120	8x120mm	50 / 300

HAMMER FIXINGS



Metal Shelf Supports

METAL SHELF STUD FOR 5mm HOLES



Metal Shelf Stud for 5mm Holes

Art. No.	Drilling Dimensions	Finish	Packing
SS144NI	5mm	Nickel	5000

PADDLE SHELF STUD FOR 5mm HOLES



Paddle Shelf Stud for 5mm Holes

Art. No.	Drilling Dimensions	Finish	Packing
SS10NI	5mm	Nickel	5000

Shelf Supports

INDEPENDENT SHELF SUPPORTS



Independent Shelf Supports

Art. No.	Size	Finish	Shelf Thickness	Max Shelf Depth	Max Weight (kg)	Packing
JD76531SS	Small	Stainless Steel	3-15mm	160mm	10kg	1 Set
JD76532SS	Medium	Stainless Steel	3-25mm	200mm	10kg	1 Set
JD76533SS	Large	Stainless Steel	3-35mm	250mm	30kg	1 Set

SHELF SUPPORT WITH SUCTION CUP FOR GLASS



Shelf Support with Suction Cup for Glass

Art. No.	Drilling Dimension	Finish	Packing
SS01NI	5mm Diameter	Nylon/Nickle	2500

Plastic Shelf Supports

NAIL IN SHELF SUPPORT WITH METAL PIN



Nail In Shelf Stud with Metal Pin

Art. No.	Finish	Packing
SS340350WH	White	4000
SS340350BE	Beige	4000
SS340350BR	Brown	4000

PLASTIC SHELF SUPPORT WITH METAL PIN



Plastic Shelf Stud with Metal Pin for 5mm Holes

Art. No.	Drilling Dimension	Finish	Packing
SS7855NY	5mm Diameter	Transparent/Metal	2500

PLASTIC SHELF STUD FOR 5mm HOLES



Plastic Shelf Stud for 5mm Holes

Art. No.	Drilling Dimension	Finish	Packing
SS7853	5mm Diameter	Beige	1000

- Spax-S Chipboard Screws
- Countersunk Heads
- Zinc Plated



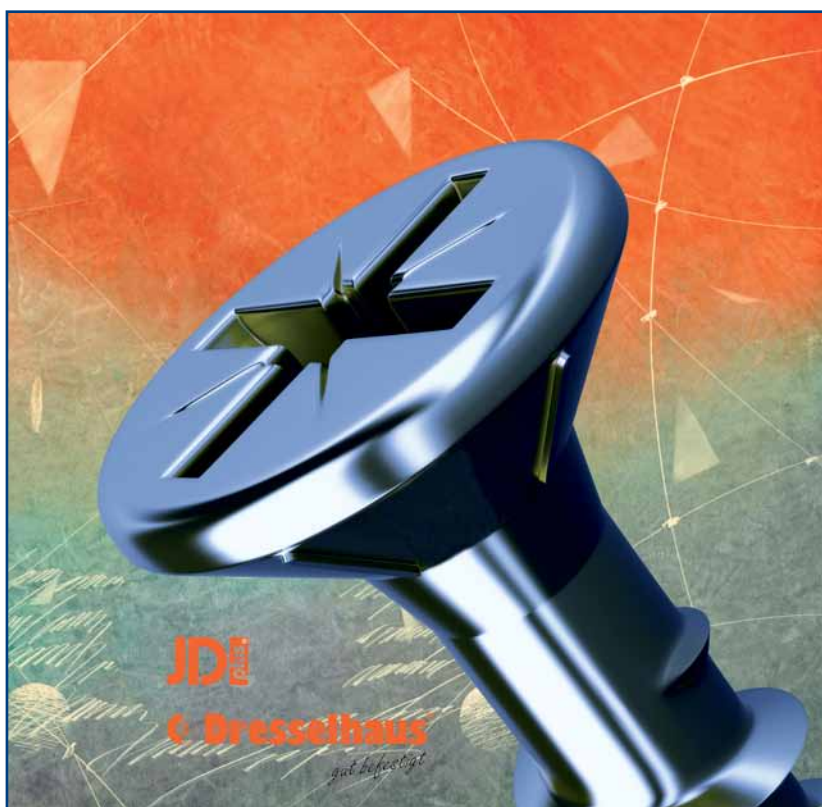
SPAX-S Screws

Art. No.	Size	Packing
SPAX35X15	3.5mm x 15mm	1000/10000
SPAX35X16	3.5mm x 16mm	1000/10000
SPAX35X17	3.5mm x 17mm	1000/10000
SPAX35X20	3.5mm x 20mm	1000/10000
SPAX35X25	3.5mm x 25mm	1000/10000
SPAX35X30	3.5mm x 30mm	1000/10000
SPAX35X35	3.5mm x 35mm	1000/10000
SPAX35X40	3.5mm x 40mm	1000/10000
SPAX35X45	3.5mm x 45mm	1000/10000
SPAX35X50	3.5mm x 50mm	500/5000
SPAX4X16	4mm x 16mm	1000/10000
SPAX4X17	4mm x 17mm	1000/10000
SPAX4X20	4mm x 20mm	1000/10000
SPAX4X25	4mm x 25mm	1000/10000
SPAX4X27	4mm x 27mm	1000/10000
SPAX4X30	4mm x 30mm	1000/10000
SPAX4X35	4mm x 35mm	1000/10000
SPAX4X40	4mm x 40mm	1000/10000
SPAX4X50	4mm x 50mm	500/5000

SPAX-S Screws

Art. No.	Size	Packing
SPAX4X60	4mm x 60mm	500/5000
SPAX4X70	4mm x 70mm	500/2500
SPAX4X80	4mm x 80mm	200/2000
SPAX45X25	4.5mm x 25mm	1000/10000
SPAX45X30	4.5mm x 30mm	1000/10000
SPAX45X60	4.5mm x 60mm	500/5000
SPAX5X30	5mm x 30mm	500/5000
SPAX5X40	5mm x 40mm	500/5000
SPAX5X50	5mm x 50mm	200/2000
SPAX5X60	5mm x 60mm	500/5000
SPAX5X70	5mm x 70mm	200/2000
SPAX5X80	5mm x 80mm	200/2000
SPAX5X90	5mm x 90mm	200/2000
SPAX5X100	5mm x 100mm	200/2000
SPAX6X100	6mm x 100mm	100/1000
SPAX6X120	6mm x 120mm	100/1000
SPAX6X140	6mm x 140mm	100/1000
SPAX6X200	6mm x 200mm	100/1000

JD PLUS Screws



JD Plus Multipurpose Screw

The multi purpose screw is suitable for most applications, hard wood, soft wood, chip-board, PVC and many other materials. Other head designs and material are available to suit your application. Featuring optimised head design, low driving torque, the JD Plus drives in without any splitting.

JD Plus Screws

Art. No.	Size	Packing
JDP35X15	3.5mm x 15mm	1000
JDP35X16	3.5mm x 16mm	1000
JDP35X17	3.5mm x 17mm	1000
JDP35X20	3.5mm x 20mm	1000
JDP35X25	3.5mm x 25mm	1000
JDP35X30	3.5mm x 30mm	1000
JDP35X35	3.5mm x 35mm	1000
JDP35X40	3.5mm x 40mm	1000
JDP35X45	3.5mm x 45mm	1000
JDP35X50	3.5mm x 50mm	500
JDP4X16	4mm x 16mm	1000
JDP4X17	4mm x 17mm	1000
JDP4X20	4mm x 20mm	1000
JDP4X25	4mm x 25mm	1000
JDP4X27	4mm x 27mm	1000
JDP4X30	4mm x 30mm	1000

JD Plus Screws

Art. No.	Size	Packing
JDP4X35	4mm x 35mm	1000
JDP4X40	4mm x 40mm	1000
JDP4X50	4mm x 50mm	500
JDP4X60	4mm x 60mm	500
JDP4X70	4mm x 70mm	200
<i>JDP5X30*</i>	5mm x 30mm	<i>Special Order</i>
JDP5X40	5mm x 40mm	500
JDP5X50	5mm x 50mm	500
JDP5X60	5mm x 60mm	500
JDP5X70	5mm x 70mm	200
JDP5X80	5mm x 80mm	200
JDP5X90	5mm x 90mm	200
JDP5X100	5mm x 100mm	200
<i>JDP6X100*</i>	6mm x 100mm	<i>Special Order</i>
<i>JDP6X120*</i>	6mm x 120mm	<i>Special Order</i>
<i>JDP6X140*</i>	6mm x 140mm	<i>Special Order</i>

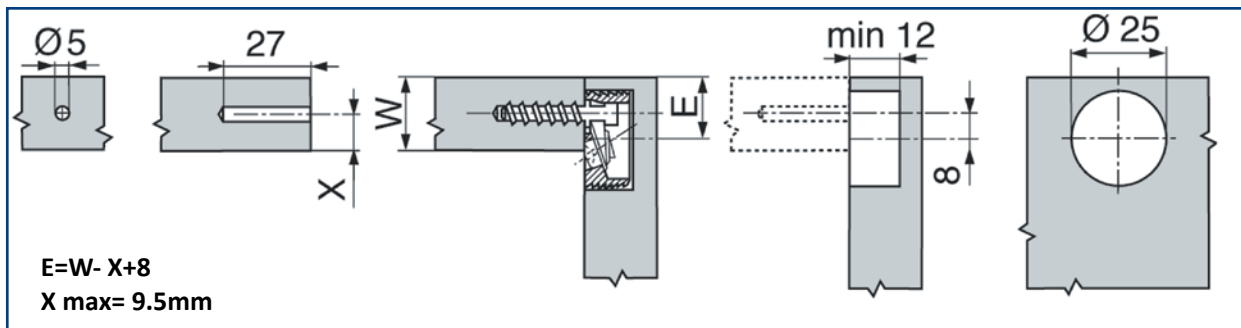
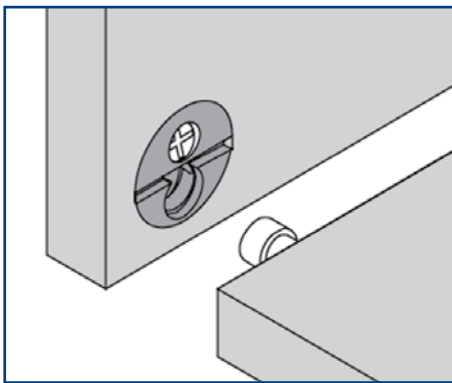
*= Are available by special order. Please contact your sales representative or Head office for further details.

BLUM Knock Down Fitting

The Blum KD range has been designed to cater for almost any application and are available in 3 colours, the design ensures quick and easy manufacturing and assembly.



BLUM KD C/W STEEL SCREW



Blum KD c/w Steel Screw

Art. No.	Finish	Packing
KD420110WH	White	2500
KD420110BE	Beige	2500
KD420110BR	Brown	2500
Art. No.	Finish	Packing
KD420720		2500

BLUM Knock Down Fitting

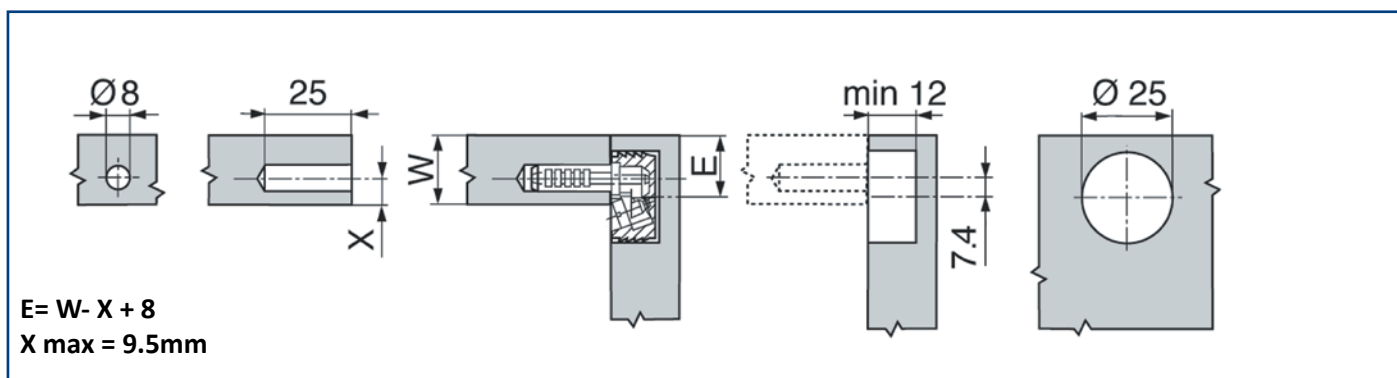
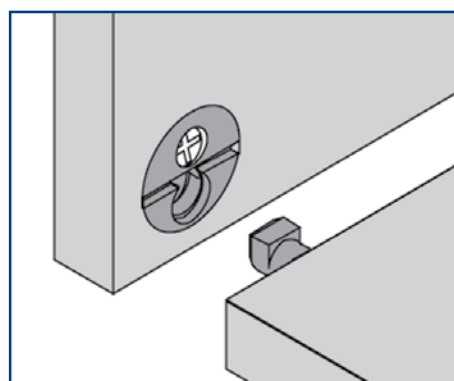


The Blum KD range has been designed to cater for almost any application and are available in 3 colours, the design ensures quick and easy manufacturing and assembly.



Blum KD c/w Plastic Dowel & Pin

Art. No.- Housing	Finish	Packing
KD400110NWH	White	2500
KD400110NBE	Beige	2500
KD400110NBR	Brown	2500
Art. No.	Finish	Packing
KD400220-Dowel		2500
KD400130- Pin		2500



BLUM 2- PART SCREW ON KD



Blum 2-Part Screw on KD

Art. No.	Finish	Packing
KD402010WH	White	1000
KD402010BR	Brown	1000
Art. No.	Finish	Packing
KD402020		1000

Table Leg & Cabinet Legs

TABLE LEG / COUNTER SUPPORT 60mm DIAMETER

Table Leg / Counter Support 60mm Diameter

Art. No.	Length	Finish	Packing
L4816C	710mm	Chrome	4 Pcs
L4816SS	710mm	Stainless Steel	4 Pcs
L4817C	870mm	Chrome	4 Pcs
L4817SS	870mm	Stainless Steel	4 Pcs
L4718SS	1100mm	Stainless Steel	4 Pcs



100 mm CABINET HEIGHT ADJUSTABLE LEG

- 100 mm high leg (-10 mm / +28 mm)
- Wide threads for easy adjustments
- Complete with plinth clips
- 1 Set = 4 legs + 2 clips

Adjustable Leg (Set) Use With Plinth

Art No	Packing
HAJ100 X 4	1 Set / 50 Sets



150 mm CABINET HEIGHT ADJUSTABLE LEG

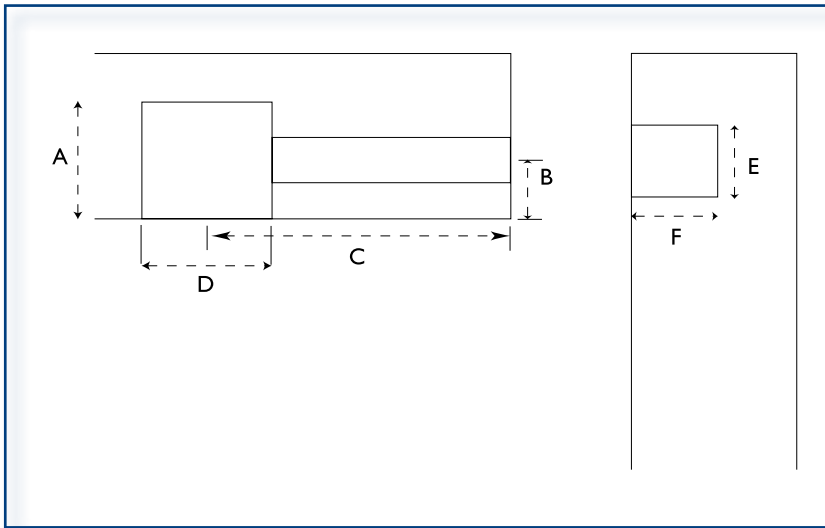
- 150 mm high leg (-10 mm / +28 mm)
- Wide threads for easy adjustments
- Complete with plinth clips
- 1 Set = 4 legs + 2 clips

Adjustable Leg (Set) Use With Plinth

Art No	Packing
HAJ150 X 4	1 Set / 50 Sets



Cam & Dowel



Quick & Easy Assembly
 15mm diameter Cam Ex Stock
 Range Of Dowels
 Zinc Finish - Further finishes available by special order

15mm CAM



From Diagram above

MF7303/15 - A= 12mm B= 7.5mm D= 15mm

MF7303/18 - A= 12mm B = 9.5mm D= 15mm

15mm Diameter Cam

Art. No.	Finish	Packing
MF7303/15	Zinc / Nickel Plated	1000
MF7303/18	Zinc / Nickel Plated	1000

*Over 100 dimensions and finishes available by Special Order

POZI DRIVE BOLT



From Diagram above

MF7165/24 - C= 24mm E= 5mm F= 12mm

MF7165/34 - C= 34mm E=5mm F= 12mm

Pozi Drive Bolt

Art. No.	Finish	Packing
MF7165/24	Zinc / Nickel Plated	1000
MF7165/34	Zinc / Nickel Plated	1000

Horizontal hole diameter 8mm

Cam & Dowel

INSERTA BOLT

From diagram on page opposite

MF7272/24 -C = 24mm E = 8mm F = 12mm

MF7272/34 -C = 34mm E = 8mm F = 12mm

Inserta Bolt

Art. No.	Finish	Packing
MF7272/24	Self Coloured	1000
MF7272/34	Self Coloured	1000

Horizontal hole diameter 8mm



From diagram on page opposite

MF7179/24 -C = 24mm E = 8mm F = 12mm

MF7179/34 -C = 34mm E = 8mm F = 12mm

Pozi Drive M6 Bolt

Art. No.	Finish	Packing
MF7179/24	Self Coloured	1000
MF7179/34	Self Coloured	1000

Horizontal hole diameter 8mm

POZI DRIVE M6 BOLT



From diagram on page opposite

MF7909 -E = 8mm F = 12mm

Brass Receiver with Ball M6

Art. No.	Finish	Packing
MF7909	Brass	1000

BRASS RECEIVER WITH BALL M6



TIMBER DOWELS

Timber Dowels

Art. No.	Diameter	Length	Packing
TD8x30	8mm	30mm	10kg
TD8x35	8mm	35mm	10kg
TD8x40	8mm	40mm	10kg
TD8x50	8mm	50mm	10kg
TD10x40	10mm	40mm	10kg
TD10x50	10mm	50mm	10kg



Assembly Fittings

CONNECTING BLOCK & CAP



Connecting Block & Cap

Art. No.	Finish	Packing
603840-Block	White/Beige/Brown	1000
603850-Cap	White/Beige/Brown	1000

EURO SCREW



Euro Screw

Art. No.	Sizes	Diameter	Finish	Packing
JD7472	6.3 x 11mm	5mm diameter	Nickel	1000

UNITA CONSTRUCTION SCREW



Unita Construction Screw, Cross Slot

Art. No.	Sizes	Drilling Dimensions	Finish	Packing
JD7501/7/50	7 x 50mm	9mm on gable/ 7mm on shelf	Nickel	1000

WORKTOP CONNECTING BOLTS



Worktop Connecting Bolts

Art. No.	Sizes	Drilling Dimensions	Finish	Packing
WC7787	150mm	35mm diameter	Self Colour	20 / 200

FEATURES

- Adjustable width hanging rail
- Easy Assembly
- Oil hydraulic movement
- Weight capacity 10kg

Pull Down Wardrobe Rail

Art No	Inside Width	Packing
RR4560	450-600mm	1/12
RR6083	580-800mm	1/12
RR83115	780-1080mm	1/12

PULL DOWN WARDROBE RAIL



Oval Robe Rail

Art. No.	Dimensions	Length	Finish	Packing
RR30x15x3C	30 x 15mm	3000mm	Chrome	1/ 10

OVAL WARDROBE RAIL



End Bracket for Wardrobe Rail

Art No	Packing
RR990020NI	1 / 500

Stick on Door Buffers

Art. No.	Dimensions	Finish	Packing
JD7843	10mm Diameter	Transparent	50 per Card

STICK ON DOOR BUFFERS



Stick on Cover Caps

Art. No.	Dimensions	Finish	Packing
ASC13AS	13mm Diameter	Ash	20 per Card / 2000
ASC13BE	13mm Diameter	Beech	20 per Card / 2000
ASC13B	13mm Diameter	Beige	20 per Card / 2000
ASC13CH	13mm Diameter	Cherry	20 per Card / 2000
ASC13GR	13mm Diameter	Grey	20 per Card / 2000
ASC13OK	13mm Diameter	Oak	20 per Card / 2000
ASC13PI	13mm Diameter	Pine	20 per Card / 2000
ASC13WA	13mm Diameter	Walnut	20 per Card / 2000
ASC13WH	13mm Diameter	White	20 per Card / 2000

STICK ON COVER CAPS



Miscellaneous

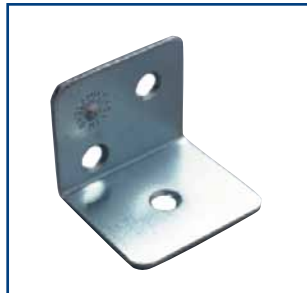
ANGLE BRACKET (SMALL)



Angle Bracket (Small)

Art. No.	Dimensions	Finish	Packing
NM3155SC	19mm x 19mm	Self Coloured	1000
NM3155ZP	19mm x 19mm	Zinc Plated	1000

ANGLE BRACKET (LARGE)



Angle Bracket (Large)

Art. No.	Hole Dimensions	Finish	Packing
NM3162ZP	25mm x 25mm	Zinc Plated	2000

MAGNETIC CATCH 6KG



Magnetic Catch

Art. No.	Dimensions	Finish	Packing
370640 - Magnet	W 45mm x D 15mm x H 13.5mm	White / Brown	100
370890ZP - Plate	W 40mm x D 8mm x H 2mm	Zinc plated	100

MODESTY BLOCK



Modesty Block

Art No	Finish	Packing
NM0675WH	White	1000
NM0675BE	Beige	1000
NM0675BR	Brown	1000

ANGLE BRACKET (SMALL)



Corner Bracket

Art No	Finish	Packing
250CR	White (RAL9001)	500

HIGH GRADE SILICON

High Grade Silicon			
Art. No.	Size	Finish	Packing
JD8607	310ml	Transparent	1 / 12
JD8607WH	310ml	White	1 / 12



ACRYLIC "PAINTERS MATE"

Acrylic "Painters Mate"			
Art. No.	Size	Finish	Packing
JD8613WH	310ml	Transparent	1 / 12



MITRE BOND

Mitre Bond	
Art No	Packing
JDMB	1 / 10



Cable Outlets

STANDARD PLASTIC GROMMET



The standard plastic grommet is a 3 part grommet consisting of sleeve and 2 part lid. The lid is removable and has three oval cut outs, small, medium and large to allow for individual or multiple cables to pass through neatly. The 80mm diameter option is available ex-stock in 4 finishes
**60mm diameter option available by special order.

Standard Plastic Grommet

Art. No.	Hole Diameter & Depth	Finish	Packing
CO20011BL	80mm Diameter & 22mm Depth	Black	1/100
CO20011BR	80mm Diameter & 22mm Depth	Brown	1/100
CO20011BE	80mm Diameter & 22mm Depth	Beige	1/100
CO20011GR	80mm Diameter & 22mm Depth	Grey	1/100

DREIKA METAL GROMMET



The DREIKA Metal grommet is a 2 part grommet consisting of metal sleeve and lid. The lid is removable and has a single oval cut out with brushes to allow multiple cables to pass through. The DREIKA fixing ensures that the metal lid is fixed securely in place.

DREIKA Metal Grommet

Art. No.	Hole Diameter & Depth	Finish	Packing
CO20084	80mm Diameter & 22mm Depth	Satin Nickel	1/8

PC HOLDER



The PC-Holder holds all tower PC's in a secure position. It ensures that no damage comes to the PC as a result of flood damage or as a result of the tower being damaged by being knocked over. There is also the option for a lock to be fixed as a deterrent to theft.



Silver finish with lock.

PC Holder

Art. No.	Height	Width	Finish	Packing
CO80025BL	370-630mm	85-230mm	Black	1
CO80025S	370-630mm	85-230mm	Silver	1

Available by Special Order only

Overview

The BMB Lock program provides for both Master Key and General Master Key opening and closing:

- 1000 different key changes available
- 5 Master Keys in groups of 200
- 1 General Master Key for 600 key changes
- 1 General Master Key for 400 key changes

MASTER KEY PROGRAM

Master Key Program A
600 Key Changes

MASTER KEY PROGRAM

Master Key Program B
400 Key Changes

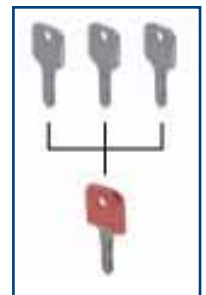
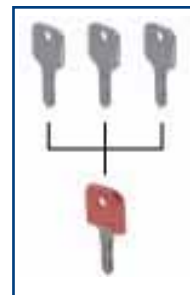
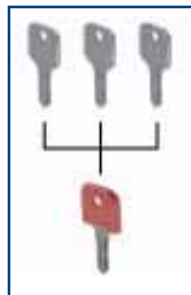
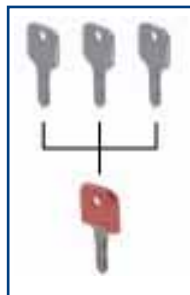
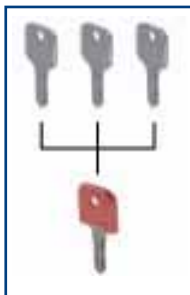
Key Changes
A001-A200

Key Changes
A201-A400

Key Changes
A401-A600

Key Changes
B001-B200

Key Changes
B201-B400



Master Key
MKA1

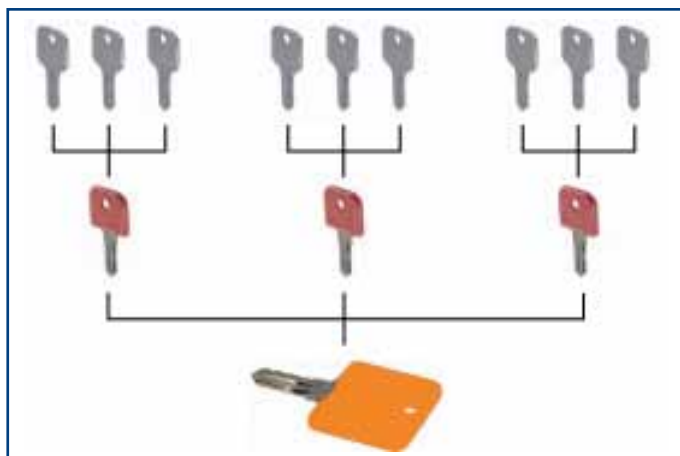
Master Key
MKA2

Master Key
MKA3

Master Key
MKB1

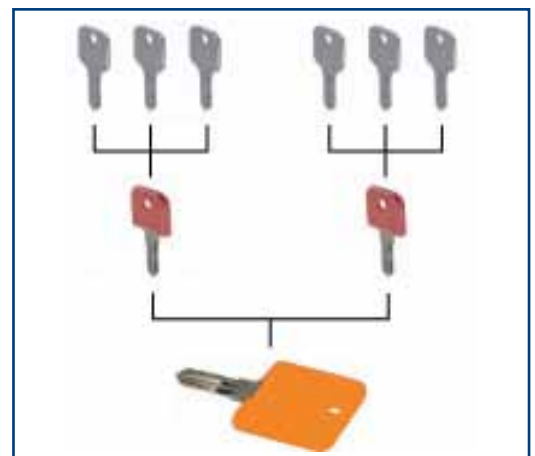
Master Key
MKB2

General Master Key Program A



General Master Key GMK A

General Master Key Program B



General Master Key GMK B

Lock Program Overview

Our entire lock program is supplied with separate cores and lock housings. This unique method of supply offers numerous advantages including:

- Full Master Key and General Master Key program
- Lock housings can be fitted and configuration for key numbers can be decided by customers later.
- No keys lost during transport.
- No searching for matching keys on site
- Easy on site assembly.
- Core can be removed with special removal key in the event of lost or stolen keys.
- Configuration can be changed without the need for new locks.
- Reduced costs.



CYLINDER CORE

Easy Cylinder Core comes complete with Core, 1 x flap key and 1 x standard key, The lock code is marked on the keys and core.



The Cylinder Core can be fitted effortlessly to numerous lock housings. The Cylinder Core simply slides into the lock housing and is fixed. To remove the core as a result of lost keys or security considerations a simple removal key is available.

Lock Housing options, available by special order include:

- Espagnolette Locks
- Slam Locks
- Drawer Locks
- Glass locks (No Drilling)
- Central locking systems

For further information on available locks, please contact your sales representative or head office.

Cylinder Cores

The Cylinder Core can be fitted effortlessly to numerous lock housings. Each Cylinder Core comes complete with Core, 1 flap key and 1 standard key. The lock code is marked on the keys and core. You can choose from keyed alike or keys to differ.



Cylinder Core- Keyed Different

Keys to Differ - Key Numbers (See Page 7.35)	Art. No.
A001 - A200 (Master Program A1)	MB1021.061
A201 - A400 (Master Program A2)	MB1021.261
A401 - A600 (Master Program A3)	MB1021.461
B001 - B200 (Master Program B1)	MB1021.661
B201 - B400 (Master Program B2)	MB1021.861

NOTE: Unless specified otherwise in order, locks are supplied from Master Program A1

Cylinder Core-Keyed Alike Master Program A1

Key No.	Art No.
001	MB1021.001
002	MB1021.002
003	MB1021.003
004	MB1021.004
005	MB1021.005
006	MB1021.006
007	MB1021.007
008	MB1021.008
009	MB1021.009
010	MB1021.010

Cylinder Core-Keyed Alike Master Program A1

Key No.	Art No.
011	MB1021.011
012	MB1021.012
013	MB1021.013
014	MB1021.014
015	MB1021.015
016	MB1021.016
017	MB1021.017
018	MB1021.018
019	MB1021.019
020	MB1021.020

Master Keys

MASTER KEY with
RED COVER CAP



Master Keys		
Master Program	Mark	Art.No.
A1	MK A1	MB1011.016
A2	MK A2	MB1011.026
A3	MK A3	MB1011.036
B1	MK A4	MB1011.048
B2	MK A5	MB1011.058

GENERAL MASTER KEY with
ORANGE COVER CAP



General Master Keys		
Master Program	Mark	Art.No.
A1 - A3	GMK A	MB1011.006
B1 - B2	GMK B	MB1011.008

CORE REMOVAL KEY with
YELLOW COVER CAP



Core Removal Keys		
Master Program	Mark	Art.No.
A1 - A3	IK A	MB1011.106
B1 - B2	IK B	MB1011.108

DENNY ASSEMBLY AID

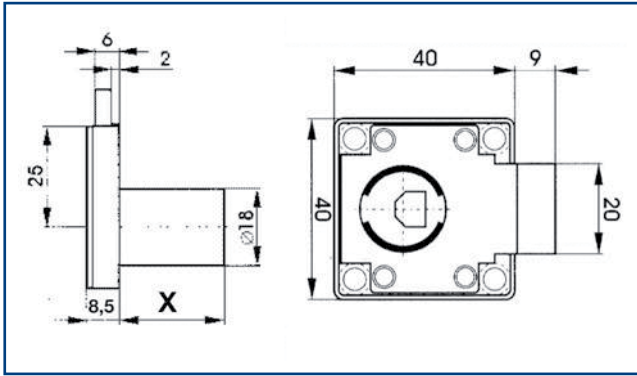


DENNY Assembly Aid	
Art No	MB1041.011

DENNY Assembly Aid
DENNY core with fixed key and black cover designed for locking cabinets prior to installation of Cylinder core so they do not open during transportation.

Rim Locks

RIM LOCK

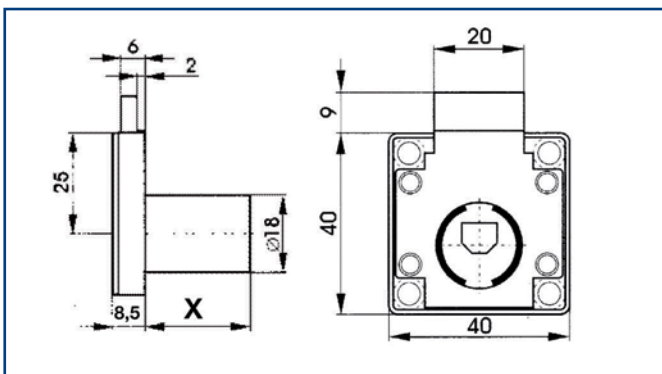


Material: Zinc Alloy
Finish: Nickel Plated

The lock can be reversed from right to left opening by simply moving the pre-installed pin

Rim Lock Left / Right

Art. No.	Backset	Dimen X	Packing
MB1061.000	25 mm	22mm	20 / 100



RIM LOCK DRAWER



Material: Zinc Alloy
Finish: Nickel Plated

Rim Lock Drawer

Art. No.	Backset	Dimen X	Packing
MB1061.000	25 mm	22mm	20 / 100

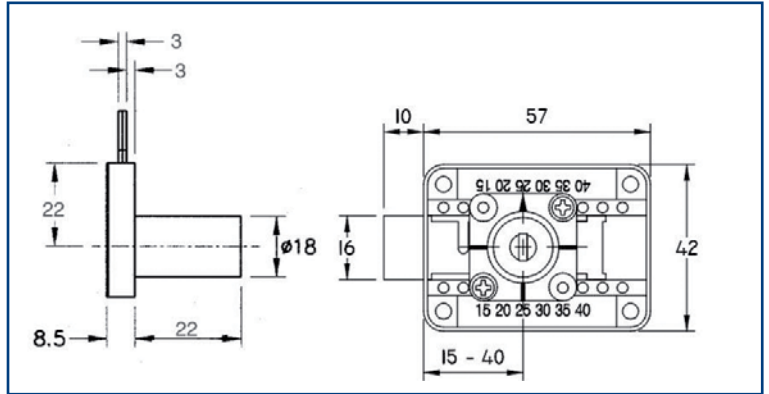
Distance X of 22mm is also available in 26mm and 32mm lengths by special order. Please contact our office to establish availability.

Rim Locks

ADJUSTABLE RIM LOCK




Material: Zinc Alloy
Finish: Nickel Plated



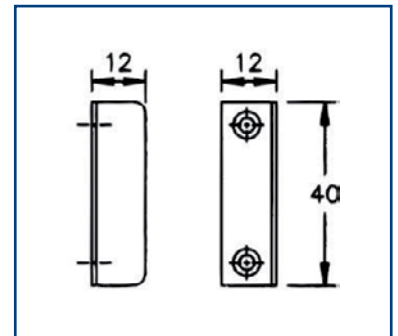
NOTE: The locking direction can be changed from right to left drawer positions

The Backset is also adjustable to fix points of 15mm, 20mm, 25mm, 30mm, 35mm & 40mm

Adjustable Rim Lock


Art.No.	Backset	Packing
MB1231.000	Adjustable 15-40mm	20 / 100 

STRIKING PLATE



Further Rim Lock options are available by special order. Please contact your sales representative or Head office for further details.

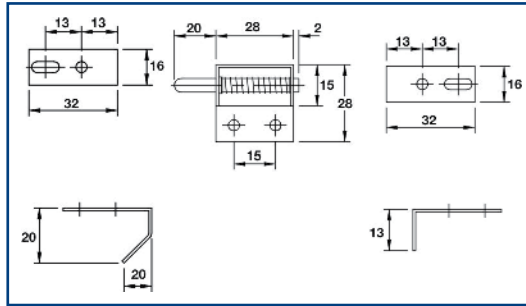
Striking Plate

Art No	Dimensions	Packing
MB1451.060	12 x 12 x 40mm	20/100 

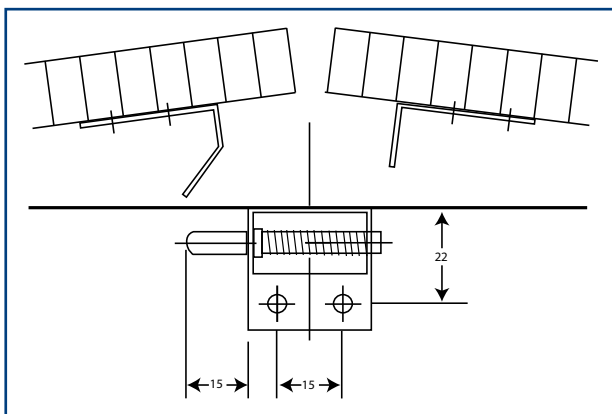
Automatic Door Bolt

AUTOMATIC DOOR BOLT

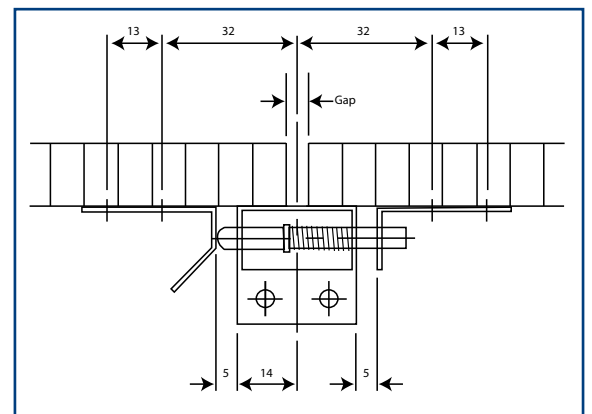
An alternative to Espagnolette locks the Automatic Door Bolt can be used in conjunction with the simple Rim Lock. The Automatic Door Bolt ensures that adjacent doors remain locked



Open Position



Closed Position



Automatic Door Bolt

Art No	Description
MB1483.600	Automatic Door Bolt, Reversible TOP/BOTTOM

