

NORDMENDE

SMART LIVING

Polished Performer



Our Award Winning Stainless Steel Dishwasher Features an A+++AA Rating, Super Quiet Technology, Low Water Consumption, 10 Programmes and Half Load and Time Delay Options. DWSN62IX. See Page 19.

Appliance Catalogue 2014

NORDMENDE

SMART LIVING

Official Appliance Partner Of



Smart Features | Cooking & Cooling



ELECTRONIC TOUCH CONTROLS

With a modern, touch controlled, LED display the SOT400IX offers a flushline option for your kitchen. A stainless steel trim complements the black glass giving an oven that's as stylish as it is functional.



TELESCOPIC OVEN RAILS

NordMende telescopic rails make it much easier to deal with those heavier roasts. Basting and stirring the more difficult dishes is simply done as the extending rails bare the weight and slide out to where you can easily, and safely, access your dish.



CATALYTIC LINERS

Microporous liners on the inner walls of the oven absorb any splashes of grease while the oven is in use. The grease is then burnt off when the oven reaches a temperature of 200°C meaning the oven is very easy to keep clean.



ELECTRONIC TOUCH CONTROLS

Stylish and easy to use, electronic touch controls give a streamline look to our ceramic and induction hobs. The seamless design also means that keeping your hob clean is as simple as ever.



CAST IRON PAN SUPPORTS

All NordMende gas hobs come with cast iron pan supports. These sturdy and robust supports hold the pan at the optimum height above the flame ensuring an even distribution of heat. They can withstand years of heavy duty use and are tolerant to prolonged contact with heat while maintaining a professional look.



FLAME FAILURE SAFETY DEVICE

For additional safety NordMende gas hobs are fitted with a flame failure safety device that automatically halts the supply of gas if the flame on the hob goes out for any reason.



FROST FREE FREEZERS

With NordMende frost free freezers there is no need to manually defrost your freezer. Evaporator coils in the freezer slightly increase in temperature periodically to stop frost from forming. Look out for the Frost Free icon on select freezers and fridge freezers.



AUTO DEFROST FRIDGES

Similar to our Frost Free Freezers, NordMende Auto Defrost Fridges never need to be manually defrosted. Air is continually circulated around the freezer preventing water vapour from building up and freezing.



RECESSED HANDLES

NordMende streamlined recessed handles are designed to be strong, long lasting and unobtrusive.

Smart Features | Washing



3D LOAD SENSOR

The NordMende 3D Load Sensor helps calculate the weight of the laundry by measuring the position of the drum. The weight is then displayed by the scale bar indicator as the machine adjusts the program duration resulting in optimum water and energy consumption. Also helps to prevent overloading, increasing overall appliance life.



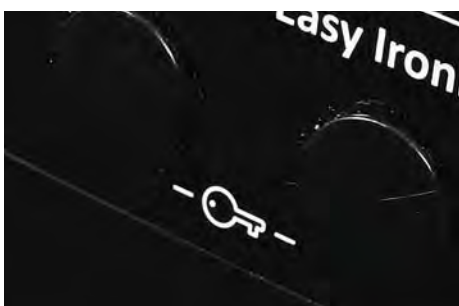
ECO-LOGIC - HALF LOAD

Reduce energy usage and water consumption by up to 50%. The Eco-Logic Half Load option adjusts settings to reduce water consumption and the length of the washing programme making this appliance kinder to the environment.



TIME DELAY

Avoid excessive creasing caused by clothes remaining in the machine for long periods. By using time delay you can programme the wash to finish when you want. Delay the wash from 1 to up to 23 hours.



CHILD LOCK

This safety feature allows you to lock the buttons on the control panel so that children cannot accidentally start or change the program. Available on both dishwashers and washing machines.



EXTRA HYGIENE

The NordMende Extra Hygiene option ensures maximum cleanliness. It increases water temperature in the final rinse in order to eliminate resistant bacteria.



HALF LOAD OPTION

Eco-Friendly Ecowash technology ensures the same top class washing performance even when the dishwasher is not fully loaded. Simply select the half load option to save energy and reduce water consumption.



EXTRA SILENT DISHWASHING

If you are looking for high performance and low noise levels look no further than our DWSN62 range of high tech dishwashers. New variable speed motor technology operates at just 39dB - that's a little louder than a whisper - making it one of the quietest dishwashers available on the market.



TOP ENERGY RATINGS

Our latest range of appliances use cutting edge technologies to achieve only the best energy ratings. This means better performance and lower running costs for you. The DWSN62 dishwasher is our most eco-friendly appliance achieving an energy rating of A+++.



WASH MORE WITH A THIRD RACK

The upper cutlery basket is designed for you to place forks, spoons, knives and other small items like espresso cups and saucers. Now you can wash more while using the same energy consumption as before. The basket can be removed from the dishwasher for easy unpacking.

NORDMENDE
SMART LIVING

Free
3 Year Warranty
Including Parts & Labour*

*On all NordMende Home Appliances. Warranty must be registered online at www.nordmende.ie.
See our terms on page 27 for full details.



Perfectionist.



The intelligent choice for smart living.

NordMende ovens provide the perfect mix of form and function, and bring more than a touch of style to your kitchen. For instance, the SOP500IX oven above comes with an impressive 'A' energy rating, quadruple glazing and the latest in Pyrolytic technology, so it cleans itself! And with our 3 year parts and labour warranty, you can finally enjoy a level of perfection that matches your own.

WWW.NORDMENDE.IE



NORDMENDE
SMART LIVING

FREESTANDING COOKERS



50CM ELECTRIC COOKER

- Electric Single Cavity
- Conventional Oven & Grill
- Oven Capacity: 53 Litres
- 4 Solid Plates - 2 Rapid Heat
- Easy to Clean Enamel
- Mechanical Timer
- Grill Pan and Handle
- White
- A Energy Rating
- 3 Year Warranty

RRP: €239
Code: CSE50WH



60CM ELECTRIC COOKER

- Electric Single Cavity
- Conventional Oven & Grill
- Oven Capacity: 61 Litres
- 4 Solid Plates - 2 Rapid Heat
- Easy to Clean Enamel
- Mechanical Timer
- Grill Pan and Handle
- White
- A Energy Rating
- 3 Year Warranty

RRP: €259
Code: CSE60WH



50CM NATURAL GAS COOKER

- Natural Gas Single Cavity
- Oven Capacity: 53 Litres
- 4 Gas Burners
- Button Ignition
- Enamel Pan Supports
- Easy to Clean Enamel
- Gas Conversion Kit
- Grill Pan and Handle
- White
- 3 Year Warranty

RRP: €279
Code: CSG50WH



50CM LPG GAS COOKER

- LPG Gas Single Cavity
- Oven Capacity: 53 Litres
- 4 Gas Burners
- Button Ignition
- Enamel Pan Supports
- Easy to Clean Enamel
- Gas Conversion Kit
- Grill Pan and Handle
- White
- 3 Year Warranty

RRP: €279
Code: CSG50LPGWH



60CM NATURAL GAS COOKER

- Natural Gas Single Cavity
- Oven Capacity: 62 Litres
- 4 Gas Burners
- Button Ignition
- Enamel Pan Supports
- Easy to Clean Enamel
- Gas Conversion Kit
- Grill Pan and Handle
- White
- 3 Year Warranty

RRP: €299
Code: CSG60WH



60CM LPG GAS COOKER

- LPG Gas Single Cavity
- Oven Capacity: 62 Litres
- 4 Gas Burners
- Button Ignition
- Enamel Pan Supports
- Easy to Clean Enamel
- Gas Conversion Kit
- Grill Pan and Handle
- White
- 3 Year Warranty

RRP: €299
Code: CSG60LPGWH



50CM NATURAL GAS COOKER

- Natural Gas Twin Cavity
- Main Oven Capacity: 36 Litres
- Top Cavity Capacity: 19 Litres
- 4 Gas Burners
- Button Ignition
- Enamel Pan Supports
- Easy to Clean Enamel
- Gas Conversion Kit
- Grill Pan and Handle
- 3 Year Warranty

BLACK: €359 WHITE: €349
Code: CTG50BK Code: CTG50WH



50CM LPG GAS COOKER

- LPG Gas Twin Cavity
- Main Oven Capacity: 36 Litres
- Top Cavity Capacity: 19 Litres
- 4 Gas Burners
- Button Ignition
- Enamel Pan Supports
- Easy to Clean Enamel
- Gas Conversion Kit
- Grill Pan and Handle
- 3 Year Warranty

WHITE: €349 BLACK: €359
Code: CTG50LPGWH Code: CTG50LPGBK



60CM NATURAL GAS COOKER

- Natural Gas Twin Cavity
- Main Oven Capacity: 41 Litres
- Top Cavity Capacity: 22 Litres
- 4 Gas Burners
- Button Ignition
- Enamel Pan Supports
- Easy to Clean Enamel
- Gas Conversion Kit
- Grill Pan and Handle
- 3 Year Warranty

BLACK: €379 WHITE: €369
Code: CTG60BK Code: CTG60WH



60CM LPG GAS COOKER

- LPG Gas Twin Cavity
- Main Oven Capacity: 41 Litres
- Top Cavity Capacity: 22 Litres
- 4 Gas Burners
- Button Ignition
- Enamel Pan Supports
- Easy to Clean Enamel
- Gas Conversion Kit
- Grill Pan and Handle
- 3 Year Warranty

WHITE: €369 BLACK: €379
Code: CTG60LPGWH Code: CTG60LPGBK



50CM ELECTRIC COOKER

- Electric Twin Cavity
- Fan in Main Oven
- Main Oven Capacity: 48 Litres
- Top Cavity Capacity: 30 Litres
- Ceramic Hob - 4 Zones
- Residual Heat Indicators
- Easy to Clean Enamel
- Grill Pan and Handle
- A Energy Rating
- 3 Year Warranty

BLACK: €419 WHITE: €399
Code: CTEC50BK Code: CTEC50WH



60CM ELECTRIC COOKER

- Electric Twin Cavity
- Fan in Main Oven
- Main Oven Capacity: 56 Litres
- Top Cavity Capacity: 35 Litres
- Ceramic Hob - 4 Zones
- Residual Heat Indicators
- Easy to Clean Enamel
- Grill Pan and Handle
- A Energy Rating
- 3 Year Warranty

WHITE: €429 BLACK: €439
Code: CTEC60WH Code: CTEC60BK

BUILT-IN OVENS

NORDMENDE

SMART LIVING



SINGLE FAN OVEN

- Fan Oven and Grill
- Oven Capacity: 56 Litres
- Easy to Clean Enamel
- Mechanical Timer
- Black
- A Energy Rating
- 3 Year Warranty

RRP: €279
Code: SO202BL



SINGLE FAN OVEN

- Fan Oven and Grill
- Oven Capacity: 56 Litres
- Easy to Clean Enamel
- Mechanical Timer
- Stainless Steel with Black Glass
- A Energy Rating
- 3 Year Warranty

RRP: €299
Code: SO202IX



SINGLE MULTIFUNCTION OVEN

- Multifunction Oven
- Oven Capacity: 56 Litres
- Easy to Clean Enamel
- Digital Clock & Programmer
- Black
- A Energy Rating
- 3 Year Warranty

RRP: €349
Code: SO302BL



SINGLE MULTIFUNCTION OVEN

- Multifunction Oven
- Oven Capacity: 56 Litres
- Easy to Clean Enamel
- Digital Clock & Programmer
- Stainless Steel with Black Glass
- A Energy Rating
- 3 Year Warranty

RRP: €379
Code: SO302IX



SINGLE MULTIFUNCTION OVEN

- Multifunction Oven
- Oven Capacity: 56 Litres
- Catalytic Liners - (Back & Sides)
- Easy to Clean Enamel
- Touch Controls
- Telescopic Rail
- Digital Clock & Programmer
- Stainless Steel with Black Glass
- A Energy Rating
- 3 Year Warranty

RRP: €439
Code: SOT400IX



SINGLE PYROLYTIC OVEN

- Multifunction Oven
- Oven Capacity: 65 Litres
- Pyrolytic Liners
- Pyrolytic Enamel
- Quadruple Glazed Door
- Oven Door Child Lock
- Digital Clock & Programmer
- Stainless Steel with Black Glass
- A Energy Rating
- 3 Year Warranty

RRP: €469
Code: SOP500IX



BUILT IN DOUBLE OVEN

- Main Oven: Multifunction
- Top Oven: Conventional/Grill
- Main Oven Capacity: 57 Litres
- Top Oven Capacity: 33 Litres
- Catalytic Liners - (Back & Sides in Both Ovens)
- Easy to Clean Enamel
- Digital Clock & Programmer
- Double Glazed Door
- A Energy Rating • 3 Year Warranty

ST/STEEL: €599 BLACK: €599
Code: DOI302IX Code: DOI302BL



BUILT UNDER DOUBLE OVEN

- Main Oven: Multifunction
- Top Oven: Conventional/Grill
- Main Oven Capacity: 42 Litres
- Top Oven Capacity: 33 Litres
- Catalytic Liners - (Back & Sides in Both Ovens)
- Easy to Clean Enamel
- Digital Clock & Programmer
- Double Glazed Door
- A Energy Rating • 3 Year Warranty

ST/STEEL: €599 BLACK: €599
Code: DOU302IX Code: DOU302BL



BUILT IN MICROWAVE

- 800W Microwave
- 1000W Grill
- Combination Cooking
- Oven Capacity: 20 Litres
- Defrost by Weight or Time
- 8 Automatic Programmes
- Child Lock
- Kit Included
- Stainless Steel
- 1 Year Warranty

RRP: €199
Code: NM820BIX

FREESTANDING RANGE COOKER

90CM DUAL FUEL RANGE COOKER

- Electric Single Cavity
- 5 Gas Burners Incl. Wok
- Catalytic Liners
- Telescopic Rails
- Cast Iron Pan Supports
- Mechanical Timer
- Storage Shelf
- 8 Functions
- Stainless Steel
- A Energy Rating
- 3 Year Warranty

RRP: €699
Code: CSG90IX



NORDMENDE

All NordMende Ovens
come with a
**FREE 3 Year Parts
and Labour
Warranty.**



BUILT-IN HOBS



60CM SOLID PLATE ELECTRIC HOB

- 2 Rapid Plates
- 1 X 2 Kw Plates
- 2 X 1.5Kw
- 1 X 1Kw Plates
- Side Controls
- Black
- 3 Year Warranty

RRP: €149
Code: HE62BL



60CM SOLID PLATE ELECTRIC HOB

- 2 Rapid Plates
- 1 X 2 Kw Plates
- 2 X 1.5Kw
- 1 X 1Kw Plates
- Side Controls
- Stainless Steel
- 3 Year Warranty

RRP: €149
Code: HE62IX



60CM GAS HOB

- 4 Burners
- Cast Iron Pan Supports
- Flame Failure Safety Device
- Side Controls
- Auto Ignition
- Gas Conversion Kit
- Black
- 3 Year Warranty

RRP: €179
Code: HG62BL



60CM GAS HOB

- 4 Burners
- Cast Iron Pan Supports
- Flame Failure Safety Device
- Side Controls
- Auto Ignition
- Gas Conversion Kit
- Stainless Steel
- 3 Year Warranty

RRP: €179
Code: HG62IX



70CM GAS HOB

- 5 Rings Including Wok Burner
- Cast Iron Pan Supports
- Flame Failure Safety Device
- Front Controls
- Auto Ignition
- Gas Conversion Kit
- Black
- 3 Year Warranty

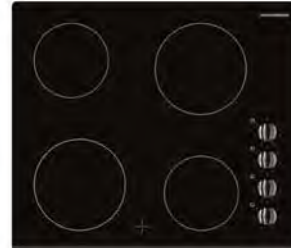
RRP: €289
Code: HGW701BL



70CM GAS HOB

- 5 Rings Including Wok Burner
- Cast Iron Pan Supports
- Flame Failure Safety Device
- Front Controls
- Auto Ignition
- Gas Conversion Kit
- Stainless Steel
- 3 Year Warranty

RRP: €289
Code: HGW701IX



60CM CERAMIC HOB

- 4 Cooking Zones
- Residual Heat Indicators
- Side Controls
- Frameless Design
- Front Bevelled Edge
- Black
- 3 Year Warranty

RRP: €219
Code: HC62FL



60CM CERAMIC HOB

- 4 Cooking Zones
- Residual Heat Indicators
- Electronic Touch Controls
- Frameless Design
- Front Bevelled Edge
- Child Lock
- Black
- 3 Year Warranty

RRP: €249
Code: HCT62FL



78CM TOUCH CONTROL CERAMIC

- 4 Cooking Zones
- 1 Dual & 1 Extendable Zone
- Residual Heat Indicators
- Electronic Touch Controls
- Frameless Design
- Front Bevelled Edge
- Child Lock
- Black
- 3 Year Warranty

RRP: €299
Code: HCT781FL



60CM INDUCTION HOB

- 4 Induction Zones
- Boost Function
- Residual Heat Indicators
- Electronic Touch Controls
- Automatic Pot Detection
- Frameless Design
- Front Bevelled Edge
- Child Lock • Pause Function
- Black
- 3 Year Warranty

RRP: €349
Code: HCI61FL



78CM INDUCTION HOB

- 4 Induction Zones
- Boost Function
- Residual Heat Indicators
- Electronic Touch Controls
- Automatic Pot Detection
- Frameless Design
- Front Bevelled Edge
- Child Lock • Pause Function
- Black
- 3 Year Warranty

RRP: €469
Code: HCI79FL



90CM INDUCTION HOB

- 5 Induction Zones
- Boost Function
- Residual Heat Indicators
- Electronic Touch Controls
- Automatic Pot Detection
- Frameless Design
- Electronic Timer
- Child Lock • Pause Function
- Black
- 3 Year Warranty

RRP: €699
Code: HCI90FL

COOKER-HOODS

NORDMENDE
SMART LIVING



CANOPY COOKER HOOD

- Extraction 330m3/hr
- Max Noise Level: 63dB
- 3 Power Settings
- 2x28W Halo Bulbs
- Slider Controls
- Twin Motor • Anti-Grease Filter
- Duct size 4-5"
- For Extraction or Recirculation
- Metallic Grey
- 3 Year Warranty

RRP: €79

Code: CHCAN2M



60CM INTEGRATED COOKER HOOD

- Extraction 220m3/hr
- Max Noise Level: 57dB
- 3 Power Settings
- 2x28W Halo Bulbs
- Slider Controls
- Single Motor • Anti-Grease Filter
- Duct size 4-5"
- For Extraction or Recirculation
- Metallic Grey
- 3 Year Warranty

RRP: €89

Code: CHINT1M



60CM INTEGRATED COOKER HOOD

- Extraction 500m3/hr
- Max Noise Level: 66dB
- 3 Power Settings
- 2x28W Halo Bulbs
- Slider Controls
- Twin Motor • Anti-Grease Filter
- Duct size 4-5"
- For Extraction or Recirculation
- Metallic Grey
- 3 Year Warranty

RRP: €119

Code: CHINT2M



60CM CHIMNEY COOKER HOOD

- Extraction 400m3/hr
- Max Noise Level: 59dB
- 3 Power Settings
- 2x28W Halo Bulbs
- Push Button Controls
- 2 Anti-Grease Filters
- Duct size 5-6"
- For Extraction or Recirculation
- Stainless Steel
- 3 Year Warranty

RRP: €129

Code: CHCMY60IX



90CM CHIMNEY COOKER HOOD

- Extraction 400m3/hr
- Max Noise Level: 59dB
- 3 Power Settings
- 2x28W Halo Bulbs
- Push Button Controls
- 3 Anti-Grease Filters
- Duct size 5-6"
- For Extraction or Recirculation
- Stainless Steel
- 3 Year Warranty

RRP: €159

Code: CHCMY90IX



60CM CHIMNEY COOKER HOOD

- Extraction 400m3/hr
- Max Noise Level: 62dB
- 3 Power Settings
- 2 x 20W Halo Lamps
- Push Button Controls
- 1 Anti-Grease Filter
- Duct size 5-6"
- For Extraction or Recirculation
- Stainless Steel & Curved Glass
- 3 Year Warranty

RRP: €349

Code: CHGLS60IX



90CM CHIMNEY COOKER HOOD

- Extraction 400m3/hr
- Max Noise Level: 62dB
- 3 Power Settings
- 2 x 20W Halo Lamps
- Push Button Controls
- 1 Anti-Grease Filter
- Duct size 5-6"
- For Extraction or Recirculation
- Stainless Steel & Curved Glass
- 3 Year Warranty

RRP: €399

Code: CHGLS90IX

NORDMENDE

All NordMende Hoods
come with a
**FREE 3 Year Parts
and Labour
Warranty.**



NordMende smart cooking technology.

Easy to Clean Enamel

An enamel coating on the interior of the oven prevents grease, oils and other residue from sticking to the inner walls making them much easier to clean.

Child Lock

The child lock on the SOT400IX ensures that the controls are not tampered with whilst the oven is in use.

Pyrolytic Cleaning

Advanced pyrolytic technology heats the oven to a temperature of 500°C turning any deposits in the oven into easily swept away ash leaving a perfectly clean oven without the need of any scrubbing or detergents.

Induction Cooking

Fast, efficient and safe, NordMende induction hobs are ideal for those who want the control of gas cooking with the look of a ceramic hob.

Automatic Pan Recognition

Automatic pan recognition means that the hob will only heat up if a pan is placed upon it and with residual heat indicators induction cooking offers full peace of mind.

Induction Boost Setting

The boost option on our induction hobs means the hob reaches the desired heat in no time.

Pause Function

Keeping your induction hob clean is easy with the help of the pause function. Pressing the button temporarily stops the hob from generating heat so any spills can be wiped away safely.

Cool as you like.



RETRO FREESTANDING F/FREEZER – Two Door, Net Fridge Capacity: 241 Lt, Freezer Capacity: 70 Lt, Auto Defrost Fridge, Top Mount Freezer, A+ Energy Rating.

The intelligent choice for smart living.

There's so much more to the NordMende Retro Fridge than meets the eye, like an A+ energy rating, and advanced NordMende technology, designed to keep temperatures low and running costs even lower. Plus it comes with a 3 year warranty covering parts and labour. So, as well as being very cool, the NordMende Retro Fridge is also very smart.

WWW.NORDMENDE.IE

OFFICIAL APPLIANCE PARTNER OF
**THE GREAT IRISH
BAKE OFF**

NORDMENDE
SMART LIVING

RETRO REFRIGERATION

NORDMENDE

SMART LIVING



RETRO FREESTANDING FRIDGE

- Net Fridge Capacity: 281 Lt.
- Net Freezer Capacity: 30 Lt.
- Single Door
- Auto Defrost Fridge
- 4* Freezer Box
- Annual Energy Cons. 275kWh
- Gloss Cream
- A+ Energy Rating
- 3 Year Warranty
- H177 x W60.5 x D63.5cm

RRP €599
Code: RET340C



RETRO FREESTANDING FRIDGE

- Net Fridge Capacity: 281 Lt.
- Net Freezer Capacity: 30 Lt.
- Single Door
- Auto Defrost Fridge
- 4* Freezer Box
- Annual Energy Cons. 275kWh
- Gloss Red
- A+ Energy Rating
- 3 Year Warranty
- H177 x W60.5 x D63.5cm

RRP €599
Code: RET340R



RETRO FREESTANDING FRIDGE

- Net Fridge Capacity: 281 Lt.
- Net Freezer Capacity: 30 Lt.
- Single Door
- Auto Defrost Fridge
- 4* Freezer Box
- Annual Energy Cons. 275kWh
- Gloss Black
- A+ Energy Rating
- 3 Year Warranty
- H177 x W60.5 x D63.5cm

RRP €649
Code: RET340BL



RETRO FREESTANDING F/FREEZER

- Net Fridge Capacity: 241 Lt.
- Net Freezer Capacity: 70 Lt.
- Two Door
- Auto Defrost Fridge
- Top Mount Freezer
- Annual Energy Cons. 280kWh
- Gloss Cream
- A+ Energy Rating
- 3 Year Warranty
- H175 x W60.5 x D63.5cm

RRP €599
Code: RET345C



RETRO FREESTANDING F/FREEZER

- Net Fridge Capacity: 241 Lt.
- Net Freezer Capacity: 70 Lt.
- Two Door
- Auto Defrost Fridge
- Top Mount Freezer
- Annual Energy Cons. 280kWh
- Gloss Red
- A+ Energy Rating
- 3 Year Warranty
- H175 x W60.5 x D63.5cm

RRP €599
Code: RET345R



RETRO FREESTANDING F/FREEZER

- Net Fridge Capacity: 241 Lt.
- Net Freezer Capacity: 70 Lt.
- Two Door
- Auto Defrost Fridge
- Top Mount Freezer
- Annual Energy Cons. 280kWh
- Gloss Black
- A+ Energy Rating
- 3 Year Warranty
- H175 x W60.5 x D63.5cm

RRP €649
Code: RET345BL



RETRO FREESTANDING F/FREEZER

- Net Fridge Capacity: 231 Lt.
- Net Freezer Capacity: 87 Lt.
- Two Door
- Auto Defrost Fridge
- Frost Free Freezer
- Annual Energy Cons. 320kWh
- Gloss Cream
- A+ Energy Rating
- 3 Year Warranty
- H190 x W60.5 x D67cm

RRP €699
Code: RETNF366C



RETRO FREESTANDING F/FREEZER

- Net Fridge Capacity: 231 Lt.
- Net Freezer Capacity: 87 Lt.
- Two Door
- Auto Defrost Fridge
- Frost Free Freezer
- Annual Energy Cons. 320kWh
- Gloss Black
- A+ Energy Rating
- 3 Year Warranty
- H190 x W60.5 x D67cm

RRP €749
Code: RETNF366BL

FREESTANDING UNDER COUNTER REFRIGERATION

48CM

Closed View



48CM UNDER COUNTER FRIDGE

- Net Fridge Capacity: 73 Litres
- 2* Freezer Box: 8 Litres
- Auto Defrost Fridge
- Safety Glass Shelves
- Reversible Door
- Recessed Handles
- Annual Energy Cons. 127kWh
- White • A+ Energy Rating
- 3 Year Warranty
- H84 x W48 x D56cm

RRP: €159
Code: RUI111NMWHA+



48CM UNDER COUNTER FRIDGE

- Net Fridge Capacity: 82 Litres
- Auto Defrost Fridge
- Safety Glass Shelves
- Reversible Door
- Recessed Handles
- Annual Energy Cons. 118kWh
- White
- A+ Energy Rating
- 3 Year Warranty
- H84 x W48 x D56cm

RRP: €159
Code: RUL121NMWHA+



48CM UNDER COUNTER FREEZER

- Net Freezer Capacity: 62 Litres
- Quick Freeze Compartments
- Opaque Freezer Drawers
- Reversible Door
- Recessed Handles
- Annual Energy Cons. 176kWh
- White
- A+ Energy Rating
- 3 Year Warranty
- H84 x W48 x D56cm

RRP: €179
Code: RUF116NMWHA+

55CM

Closed View



UNDER COUNTER FRIDGE

- Net Fridge Capacity: 105 Litres
- 4* Freezer Box: 12 Litres
- Auto Defrost Fridge
- Safety Glass Shelves
- Reversible Door
- Recessed Handles
- Annual Energy Cons. 178kWh
- White • A+ Energy Rating
- 3 Year Warranty
- H84 x W54 x D60cm

RRP: €179
Code: RUI142WHA+



UNDER COUNTER FRIDGE

- Net Fridge Capacity: 106 Litres
- Auto Defrost Fridge
- Safety Glass Shelves
- Reversible Door
- Recessed Handles
- Annual Energy Cons. 121kWh
- White
- A+ Energy Rating
- 3 Year Warranty
- H84 x W54 x D60cm

RRP: €179
Code: RUL152WHA+



UNDER COUNTER FREEZER

- Net Freezer Capacity: 75 Litres
- Quick Freeze Compartments
- Opaque Freezer Drawers
- Reversible Door
- Recessed Handles
- Annual Energy Cons. 184kWh
- White
- A+ Energy Rating
- 3 Year Warranty
- H84 x W54 x D62cm

RRP: €199
Code: RUF147WHA+

NordMende smart cooling technology.

Safety Glass Shelves

For safety purposes we only use specially treated tempered glass tested to hold 20kg in weight with 40kg for shelves over vegetable drawers.

Reversible Doors

All NordMende refrigerator doors can be opened from the left or right with a simple adjustment.

Quick Freeze Compartments

NordMende Quick Freeze Compartments rapidly chill newly introduced food. Ideal for freshly bought items.

Freezer Door Indicator

The red indicator on the door handle warns the user when the freezer door is left open.

Removable Door Racks

Our door racks can be repositioned to provide additional space for bottles and packages of various heights.

Transparent Drawers

Easily see what's cooling in your NordMende fridge with our super strong transparent drawers.

Spill Proof Shelves

The easy to clean glass shelves have lipped edges that prevent any spillages from dripping down onto the shelves below.

FREESTANDING FRIDGE FREEZERS

NORDMENDE

SMART LIVING



FREESTANDING FRIDGE FREEZER

- Net Fridge Capacity: 187 Litres
- Net Freezer Capacity: 40 Litres
- Auto Defrost Fridge
- Safety Glass Shelves
- Reversible Doors
- Recessed Handles
- Annual Energy Cons. 226kWh
- White or Silver
- A+ Energy Rating
- 3 Year Warranty
- H144 x W54 x D60cm

WHITE: €269 SILVER: €289
Code: RFF263WHA+ Code: RFF263SLA+



FREESTANDING FRIDGE FREEZER

- Net Fridge Capacity: 152 Lt.
- Net Freezer Capacity: 78 Lt.
- Frost Free Freezer
- Safety Glass Shelves
- Reversible Doors
- Silver Handles
- Annual Energy Cons. 254kWh
- White or Silver
- A+ Energy Rating
- 3 Year Warranty
- H166 x W54 x D60cm

WHITE: €429 SILVER: €449
Code: RFF312NFWHA+ Code: RFF312NFSLA+



FREESTANDING FRIDGE FREEZER

- Net Fridge Capacity: 188 Litres
- Net Freezer Capacity: 91 Litres
- Auto Defrost Fridge
- Safety Glass Shelves
- Reversible Doors
- Recessed Handles
- Annual Energy Cons. 264kWh
- White
- A+ Energy Rating
- 3 Year Warranty
- H170 x W60 x D60cm

RRP: €419
Code: RFF332WHA+



FREESTANDING FRIDGE FREEZER

- Net Fridge Capacity: 188 Litres
- Net Freezer Capacity: 91 Litres
- Auto Defrost Fridge
- Safety Glass Shelves
- Reversible Doors
- Recessed Handles
- Annual Energy Cons. 264kWh
- Silver
- A+ Energy Rating
- 3 Year Warranty
- H170 x W60 x D60cm

RRP: €449
Code: RFF332SLA+



FREESTANDING FRIDGE FREEZER

- Net Fridge Capacity: 231 Lt.
- Net Freezer Capacity: 87 Lt.
- Auto Defrost Fridge
- Frost Free Freezer
- Safety Glass Shelves
- Annual Energy Cons. 320kWh
- White
- A+ Energy Rating
- 3 Year Warranty
- H185 x W60 x D63cm

RRP €469
Code: RFF367NFWHA+



FREESTANDING FRIDGE FREEZER

- Net Fridge Capacity: 231 Lt.
- Net Freezer Capacity: 87 Lt.
- Auto Defrost Fridge
- Frost Free Freezer
- Safety Glass Shelves
- Annual Energy Cons. 320kWh
- Silver
- A+ Energy Rating
- 3 Year Warranty
- H185 x W60 x D63cm

RRP €499
Code: RFF367NFSLA+



FREESTANDING FRIDGE FREEZER

- Net Fridge Capacity: 260 Lt.
- Net Freezer Capacity: 97 Lt.
- Auto Defrost Fridge
- Frost Free Freezer
- Water Dispenser • Flexi Zone
- Annual Energy Cons. 368kWh
- Stainless Steel
- A+ Energy Rating
- 3 Year Warranty
- H187.5 x W70 x D63.5cm

RRP €749
Code: RFF466NFMIXA+



FREESTANDING LARDER FRIDGES / FREEZERS

55CM



55CM TALL LARDER FRIDGE

- Net Fridge Capacity: 250 Litres
- Auto Defrost Fridge
- Safety Glass Shelves
- Reversible Door
- Recessed Handles
- Annual Energy Cons. 133kWh
- White
- A+ Energy Rating
- 3 Year Warranty
- H144 x W54 x D60cm

RRP €279

Code: RTL266WHA+



55CM TALL FREEZER

- Net Freezer Capacity: 186 Litres
- Quick Freeze Compartments
- Opaque Freezer Drawers
- Reversible Door
- Recessed Handles
- Annual Energy Cons. 252kWh
- White
- A+ Energy Rating
- 3 Year Warranty
- H144 x W54 x D60cm

RRP €299

Code: RTF246WHA+

60CM



60CM TALL LARDER FRIDGE

- Net Fridge Capacity: 349 Litres
- Auto Defrost Fridge
- Safety Glass Shelves
- Reversible Door
- Recessed Handles
- Annual Energy Cons. 150kWh
- White
- A+ Energy Rating
- 3 Year Warranty
- H185 x W60 x D63cm

RRP €399

Code: RTL396WHA+



60CM TALL LARDER FRIDGE

- Net Fridge Capacity: 349 Litres
- Auto Defrost Fridge
- Safety Glass Shelves
- Reversible Door
- Silver Handle
- Annual Energy Cons. 150kWh
- Stainless Steel
- A+ Energy Rating
- 3 Year Warranty
- H185 x W60 x D63cm

RRP €469

Code: RTL396IXA+



60CM TALL FREEZER

- Net Freezer Capacity: 251 Litres
- 7 Freezer Compartments
- Opaque Freezer Drawers
- Electronic Controls
- Reversible Door
- Recessed Handles
- Annual Energy Cons. 323kWh
- White • A+ Energy Rating
- 3 Year Warranty
- H185 x W60 x D64cm

RRP €499

Code: RTF392NFWHA+



60CM TALL FREEZER

- Net Freezer Capacity: 251 Litres
- 7 Freezer Compartments
- Opaque Freezer Drawers
- Electronic Controls
- Reversible Door • Silver Handle
- Annual Energy Cons. 323kWh
- Stainless Steel
- A+ Energy Rating
- 3 Year Warranty
- H185 x W60 x D64cm

RRP €569

Code: RTF392NFXA+

60CM



BUILT UNDER LARDER FRIDGE

- Net Fridge Capacity: 133 Lt.
- Auto Defrost Fridge
- Safety Glass Shelves
- Analogical Temp Control
- 1 Vegetable Crisper
- Annual Energy Cons. 121kWh
- A+ Energy Rating
- 3 Year Warranty
- H81.8 x W59.5 x D54.8cm

RRP €299

Code: RIUL141NMA+



BUILT UNDER FREEZER

- Net Freezer Capacity: 95 Lt.
- Quick Freeze Compartment
- 3 Freezer Compartments
- 4* Rated Freezer
- Annual Energy Cons. 187kWh
- A+ Energy Rating
- 3 Year Warranty
- H81.8 x W59.5 x D54.8cm

RRP €329

Code: RIUF101NMA+

LOOKING FOR ADDITIONAL STORAGE ?

Then choose the NordMende Integrated Tall Larder Fridge and Freezer options.

NORDMENDE

SMART LIVING

55CM



50:50 INTEGRATED FRIDGE FREEZER

- Net Fridge Capacity: 154 Lt.
- Net Freezer Capacity: 90 Lt.
- Auto Defrost Fridge
- Safety Glass Shelves
- 4 Freezer Drawers
- Anti Bacterial Protection
- Annual Energy Cons. 281kWh
- A+ Energy Rating
- 3 Year Warranty
- H177.6 x W54 x D54cm

RRP €499

Code: RIFF50501NMA+



70:30 INTEGRATED FRIDGE FREEZER

- Net Fridge Capacity: 189 Lt.
- Net Freezer Capacity: 75 Lt.
- Auto Defrost Fridge
- Safety Glass Shelves
- 3 Freezer Drawers
- Quick Freeze Compartment
- Annual Energy Cons. 275kWh
- A+ Energy Rating
- 3 Year Warranty
- H177 x W54 x D54.5cm

RRP €499

Code: RIFF70301NMA+



INTEGRATED TALL LARDER FRIDGE

- Net Fridge Capacity: 316 Lt.
- 6 Adjustable Safety Glass Shelves
- 2 Vegetable Drawers
- Reversible Door
- Annual Energy Cons. 175kWh
- A+ Energy Rating
- 3 Year Warranty
- H177 x W54 x D54cm

RRP €499

Code: RITL395A+



INTEGRATED TALL FREEZER

- Net Freezer Capacity: 226 Lt.
- 9 Freezer Compartments
- Opaque Freezer Drawers
- Reversible Door
- Annual Energy Cons. 361kWh
- A+ Energy Rating
- 3 Year Warranty
- H177 x W54 x D54cm

RRP €549

Code: RITF391A+

Up to speed.



The intelligent choice for smart living.

You get so much more with a NordMende washing machine, like an A+ energy rating and our latest Eco-Logic technology - designed to save water and detergent. With drum capacities of up to 9kg, you'll fit in everything you want, while the child safety lock keeps everything else out. Our 3 year warranty covers both parts and labour.

So take one for a spin. You'll very quickly see why NordMende is the smarter choice



NORDMENDE
SMART LIVING

WWW.NORDMENDE.IE

FREESTANDING LAUNDRY

NORDMENDE

SMART LIVING



5KG WASHING MACHINE

- 5kg Capacity
- Max Spin Speed 1000rpm
- 15 Programmes
- 58dB Washing & 77dB Spinning
- Eco-Logic System
- Child Safety Lock
- White
- A+ Energy Rating
- 3 Year Warranty

RRP €249
Code: WM1002WH



5KG WASHING MACHINE

- 5kg Capacity
- Max Spin Speed 1000rpm
- 15 Programmes
- 58dB Washing & 77dB Spinning
- Eco-Logic System
- Child Safety Lock
- Silver
- A+ Energy Rating
- 3 Year Warranty

RRP €269
Code: WM1002SL



6KG WASHING MACHINE

- 6kg Capacity
- Max Spin Speed 1200rpm
- 23 Programmes
- 58dB Washing & 79dB Spinning
- Variable Spin
- Eco-Logic System
- Easy Iron Option
- Child Safety Lock
- White • A+ Energy Rating
- 3 Year Warranty

RRP €299
Code: WM1201WH



6KG WASHING MACHINE

- 6kg Capacity
- Max Spin Speed 1200rpm
- 23 Programmes
- 58dB Washing & 79dB Spinning
- Variable Spin
- Eco-Logic System
- Easy Iron Option
- Child Safety Lock
- Silver • A+ Energy Rating
- 3 Year Warranty

RRP €319
Code: WM1201SL



FREESTANDING WASHING MACHINE

- 7kg Capacity
- Max Spin Speed 1200rpm
- 15 Programmes • LED Display
- Time Delay & Easy Ironing
- 58dB Washing & 78dB Spinning
- Variable Spin & Temperature
- Child Safety Lock
- Eco-Logic System
- White • A++ Energy Rating
- 3 Year Warranty

RRP: €319
Code: WM1274WH



FREESTANDING WASHING MACHINE

- 7kg Capacity
- Max Spin Speed 1200rpm
- 15 Programmes • LED Display
- Time Delay & Easy Ironing
- 58dB Washing & 78dB Spinning
- Variable Spin & Temperature
- Child Safety Lock
- Eco-Logic System
- Black • A++ Energy Rating
- 3 Year Warranty

RRP: €349
Code: WM1274BL



FREESTANDING WASHING MACHINE

- 9kg Capacity
- Max Spin Speed 1200rpm
- 15 Programmes • LED Display
- Time Delay & Easy Ironing
- 58dB Washing & 78dB Spinning
- Variable Spin & Temperature
- Child Safety Lock
- Eco-Logic System
- White • A++ Energy Rating
- 3 Year Warranty

RRP: €349
Code: WM1294WH



FREESTANDING WASHER DRYER

- 9kg Wash & 6kg Dry
- Max Spin Speed 1400rpm
- Variable Spin
- 15 Programmes
- 3D Load Sensor
- Eco-Logic System
- Full Graphic LCD Display
- Child Safety Lock
- White • AAB Rated
- 3 Year Warranty

RRP: €649
Code: WDSN1400WH

NordMende smart washing technology.

Refresh Program

Ideal for clothes that don't require a wash but just a little refresh. This program gently blows hot air onto the laundry giving a tumble dry finish.

Overflow Protection

Detects potential problems with the water supply, automatically draining the water in the event of a problem.

Wash & Go

This convenient feature is great for cleaning shirts or light items that are needed urgently. The machine automatically determines the weight and commences either a 35 or 60 minute program.

No Tap Water Indication

System warns when tap water is unavailable and stops the cycle.

Failure Detection

We don't expect any failures on our advanced appliances, however, in case it does happen you can easily diagnose with the help of a blinking error signal on the control panel.

Filter Clean Indicator

Advises when the pump filter needs to be cleaned resulting in optimum performance.

Balance Control

In case of unevenly distributed laundry, the system redistributes the load inside the drum and adjusts the spin speed to achieve best drying conditions.

Solenoid Door Lock

Warning feature advising position of door - open, closed or locked.

FREESTANDING TUMBLE DRYERS



FREESTANDING VENTED DRYER

- 7kg Capacity
- 5 Programmes
- Reversible Drum
- Low/High Heat Setting
- Variable Drying Time
- Silver
- C Energy Rating
- 3 Year Warranty

RRP €239
 Code: TDV71NMSL



FREESTANDING VENTED DRYER

- 7kg Capacity
- 5 Programmes
- Reversible Drum
- Low/High Heat Setting
- Variable Drying Time
- White
- C Energy Rating
- 3 Year Warranty

RRP €239
 Code: TDV7NMWH



FREESTANDING CONDENSER DRYER

- 7kg Capacity
- 5 Programmes
- Reversible Drum
- Low/High Heat Setting
- Variable Drying Time
- Full Bottle Indicator
- Silver
- C Energy Rating
- 3 Year Warranty

RRP €349
 Code: TDC71NMSL



FREESTANDING CONDENSER DRYER

- 7kg Capacity
- 5 Programmes
- Reversible Drum
- Low/High Heat Setting
- Variable Drying Time
- Full Bottle Indicator
- White
- C Energy Rating
- 3 Year Warranty

RRP €349
 Code: TDC7NMWH

BUILT-IN LAUNDRY



INTEGRATED WASHING MACHINE

- 6kg Capacity
- Max Spin Speed 1400rpm
- 15 Programmes
- Time Delay Option
- Intensive Wash, Easy Iron & Extra Rinse Setting
- Child Lock
- Variable Spin
- Anti-Crease Option
- LED Display
- White
- AAB Rated
- 3 Year Warranty

RRP €599
 Code: WMI1400NM



INTEGRATED WASHER DRYER

- 6kg Wash & 4kg Dry Capacity
- Max Spin Speed 1200rpm
- 15 Programmes
- Time Delay Option
- Intensive Wash, Easy Iron & Extra Rinse Setting
- Child Lock
- Variable Spin & Temperature
- LED Display
- White
- BA Rated
- 3 Year Warranty

RRP €679
 Code: WDI1200NM

FREESTANDING DISHWASHERS

NORDMENDE
SMART LIVING



45CM FREESTANDING DISHWASHER

- 4 Programmes
- 10 Place Settings
- Max Noise Level: 49db
- 13 Litre Water Consumption
- Adjustable Baskets
- Overflow & Leakage Protection
- Half Load Option
- Rinse Aid & Salt Indicators
- White • AAB Rated
- 3 Year Warranty

RRP €279
Code: DW46WH



60CM FREESTANDING DISHWASHER

- 4 Programmes
- 12 Place Settings
- Max Noise Level: 49db
- 12 Litre Water Consumption
- Adjustable Baskets
- Overflow & Leakage Protection
- Half Load Option
- Rinse Aid & Salt Indicators
- White • A+AB Rated
- 3 Year Warranty

RRP €299
Code: DW63WH



60CM FREESTANDING DISHWASHER

- 4 Programmes
- 12 Place Settings
- Max Noise Level: 49db
- 12 Litre Water Consumption
- Adjustable Baskets
- Overflow & Leakage Protection
- Half Load Option
- Rinse Aid & Salt Indicators
- Black or Silver • A+AB Rated
- 3 Year Warranty

BLACK: €299 SILVER: €299
Code: DW63BL Code: DW63SL



60CM FREESTANDING DISHWASHER

- 10 Programmes
- 15 Place Settings
- Extra Silent Noise Level: 39db
- 9 Litre Water Consumption
- Adjustable Baskets
- Overflow & Leakage Protection
- Half Load Option • Time Delay
- LCD Display • Child Lock
- St/Steel or White
- A+++AA Rated • 3 Year Warranty

ST/STEEL €499 WHITE €449
Code: DWSN62IX Code: DWSN62WH

BUILT-IN DISHWASHERS



45CM INTEGRATED DISHWASHER

- 6 Programmes
- 10 Place Settings
- Max Noise Level: 49db
- 13 Litre Water Consumption
- Adjustable Baskets
- Overflow & Leakage Protection
- Half Load Option
- Time Delay
- AAA Rated
- 3 Year Warranty

RRP €349
Code: DFSN451



60CM INTEGRATED DISHWASHER

- 4 Programmes
- 12 Place Settings
- Max Noise Level: 49db
- 9 Litre Water Consumption
- Adjustable Baskets
- Overflow & Leakage Protection
- A+AB Rated
- 3 Year Warranty

RRP €399
Code: DF60



60CM INTEGRATED DISHWASHER

- 9 Programmes
- 12 Place Settings
- Max Noise Level: 47db
- 9 Litre Water Consumption
- Adjustable Baskets
- Overflow & Leakage Protection
- Half Load Option
- Time Delay
- A+AA Rated
- 3 Year Warranty

RRP €449
Code: DFSN60



60CM SEMI INTEGRATED

- 6 Programmes
- 12 Place Settings
- Max Noise Level: 47db
- 9 Litre Water Consumption
- Adjustable Baskets
- Overflow & Leakage Protection
- Half Load Option
- Time Delay • Child Lock
- A+AA Rated
- 3 Year Warranty

ST/STEEL: €439 BLACK: €439
Code: DSSN60IX Code: DSSN60BL

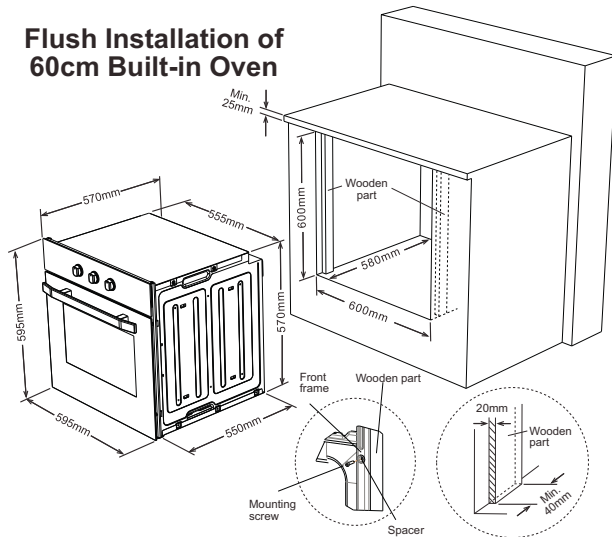


Product Dimensions

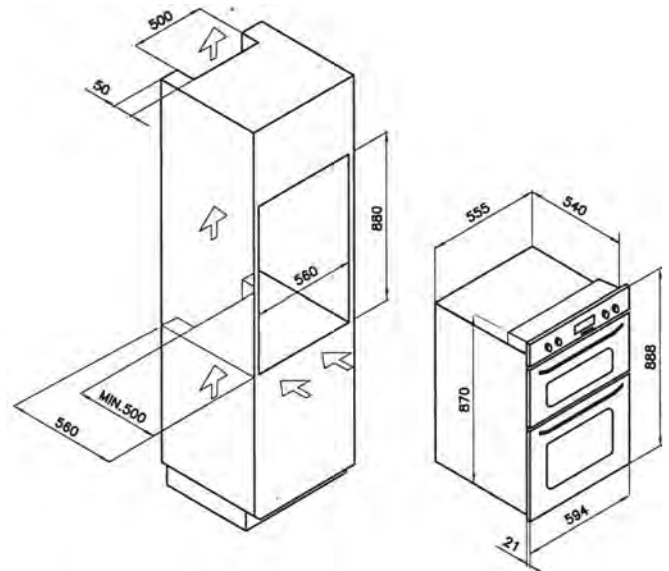
COOK

SO202 / SO302 / SOT400 / SOP500

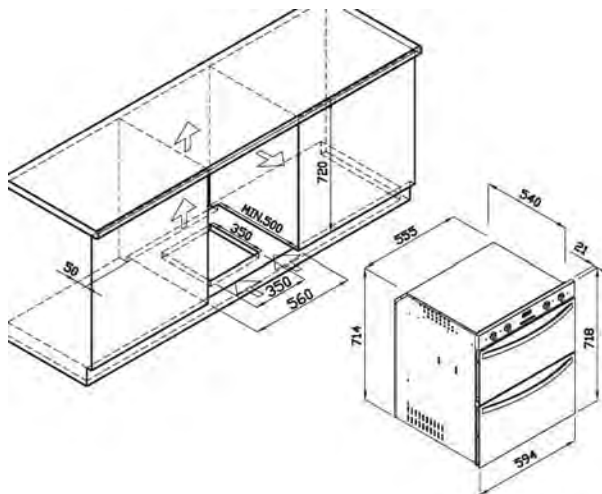
Flush Installation of
60cm Built-in Oven



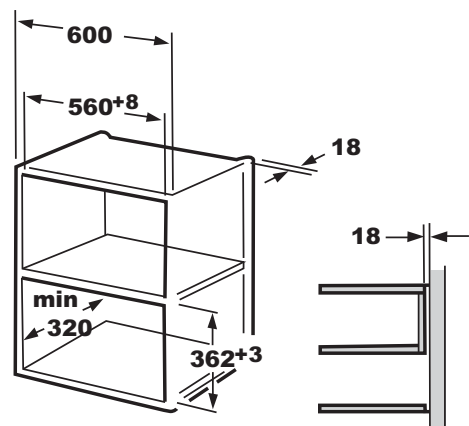
DOI302



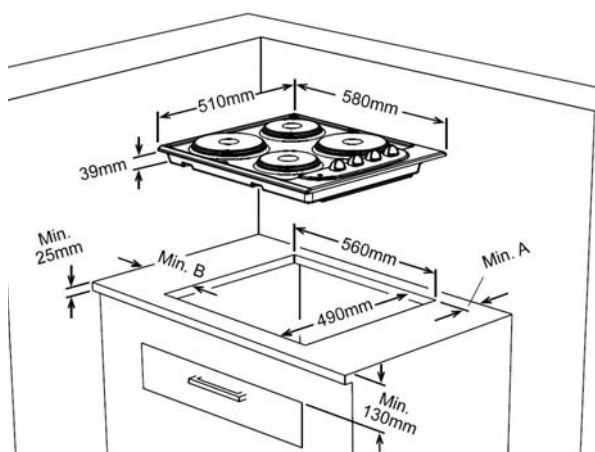
DOU302



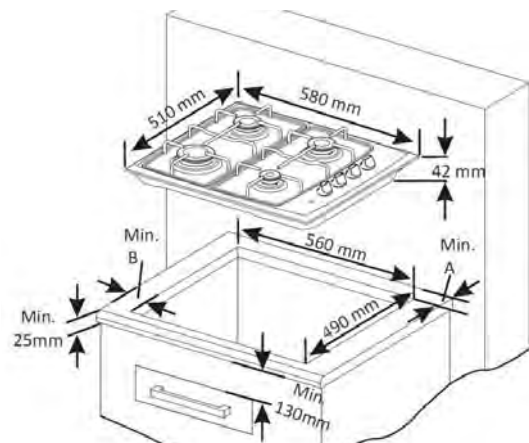
NM820BIX



HE62



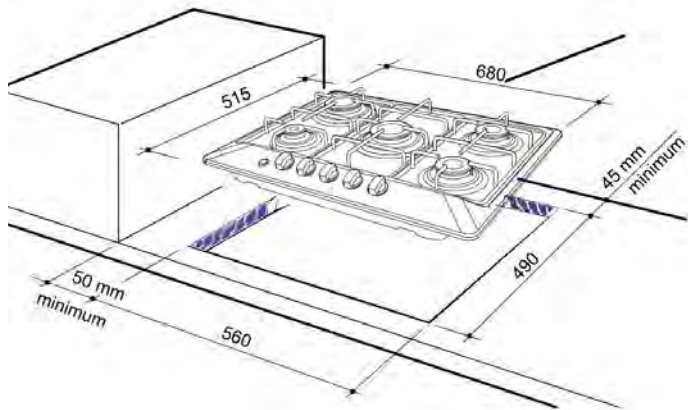
HG62



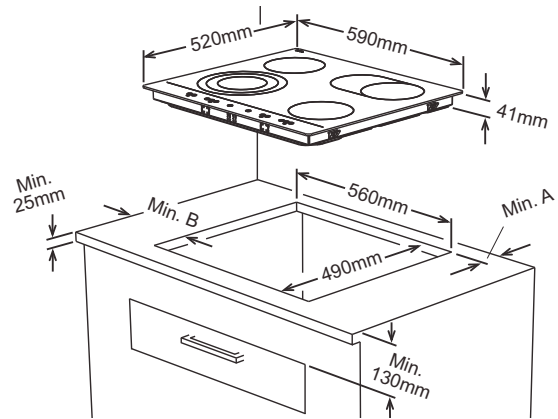
DIMENSIONS

COOK

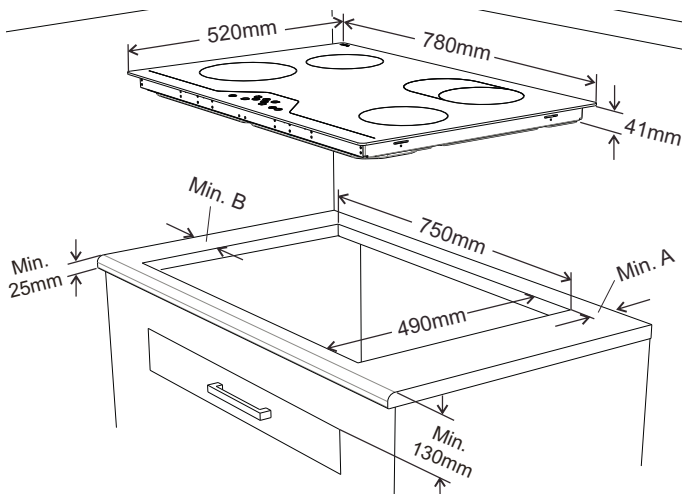
HGW701



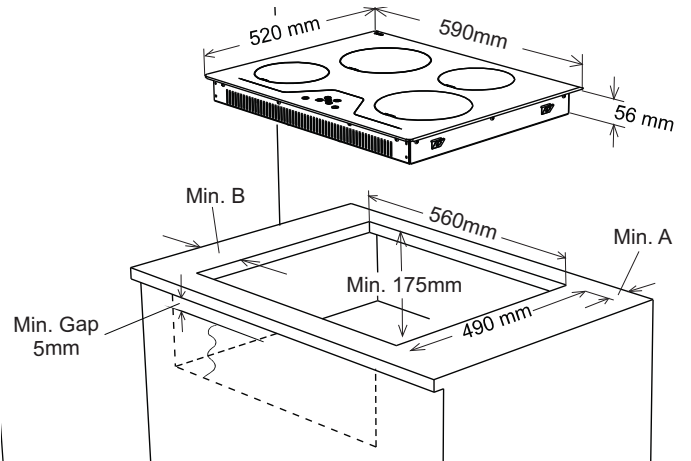
HCT62FL / HC62FL



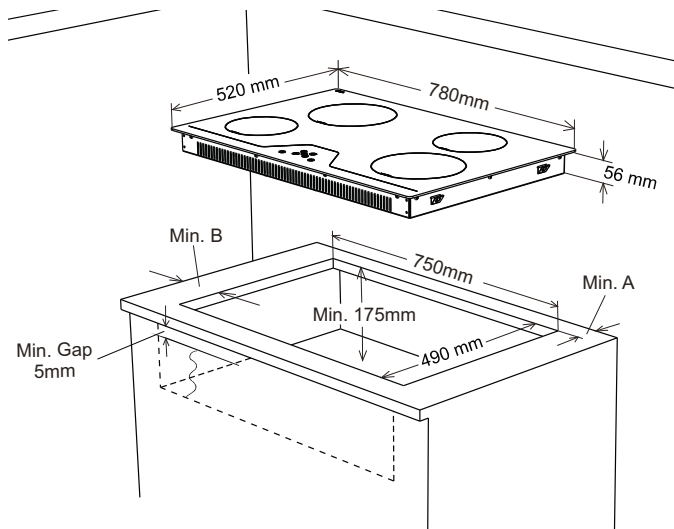
HCT781FL



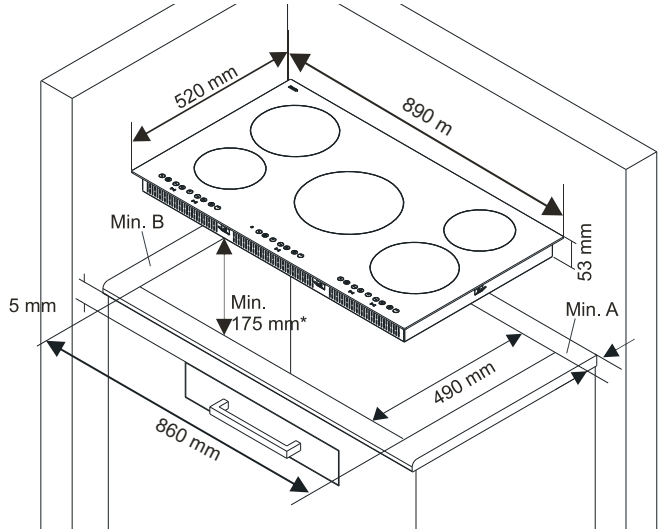
HCI61FL



HCI79FL

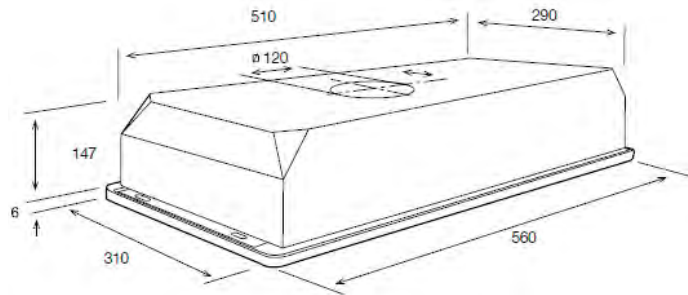


HCI90FL

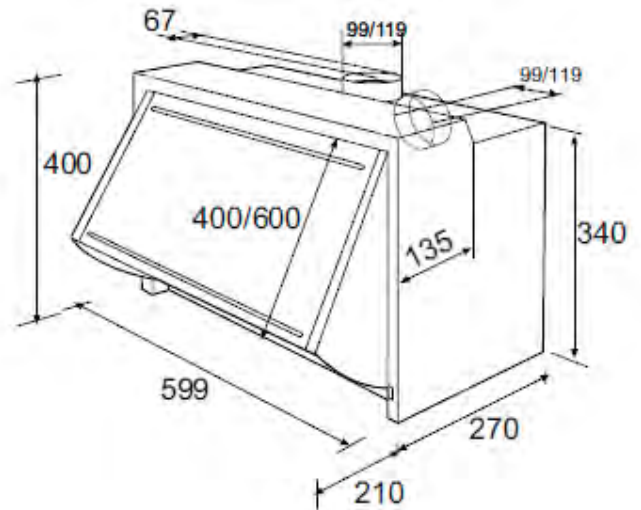


COOK

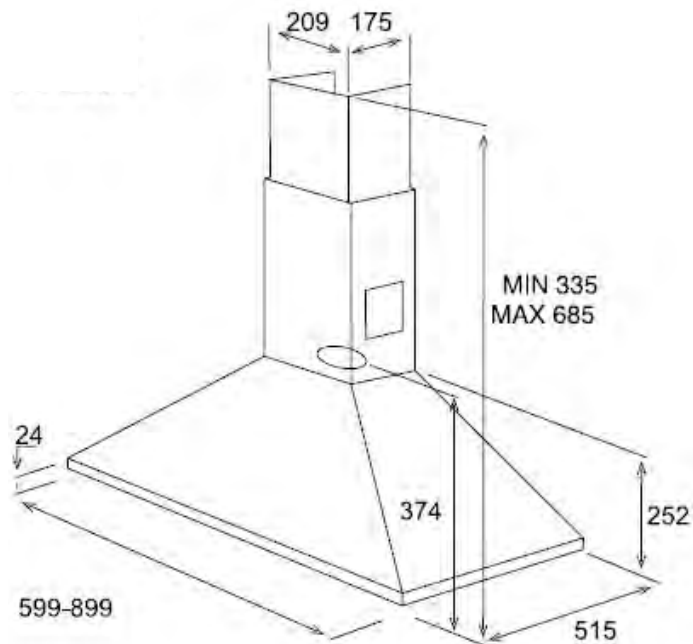
CHCAN2M



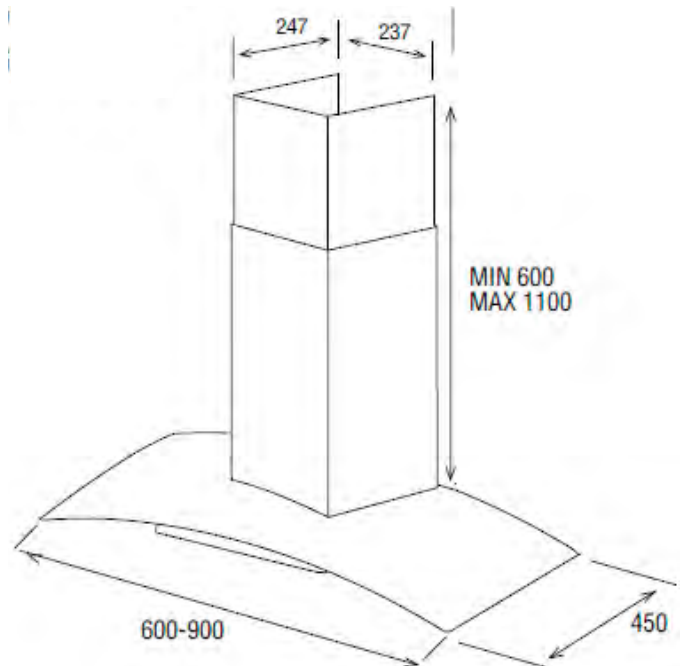
CHINT1M & CHINT2M



CHCMY60IX & CHCMY90IX

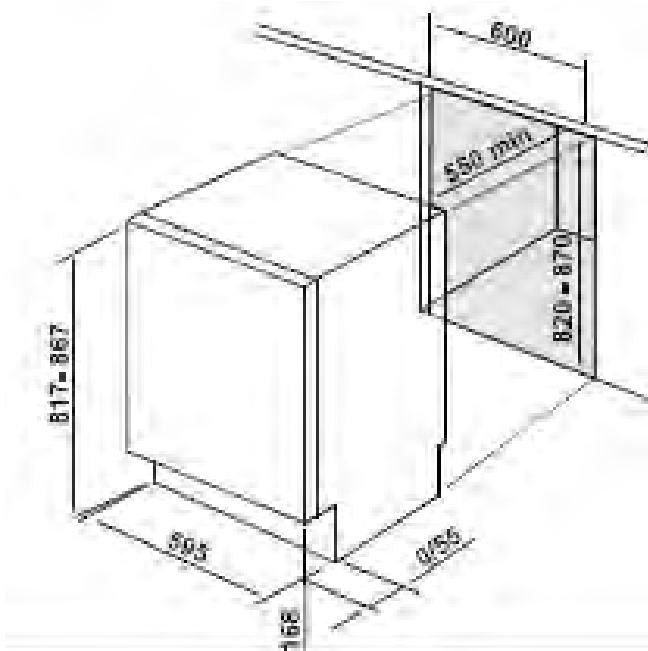


CHGLS60IX & CHGLS90IX



COOL

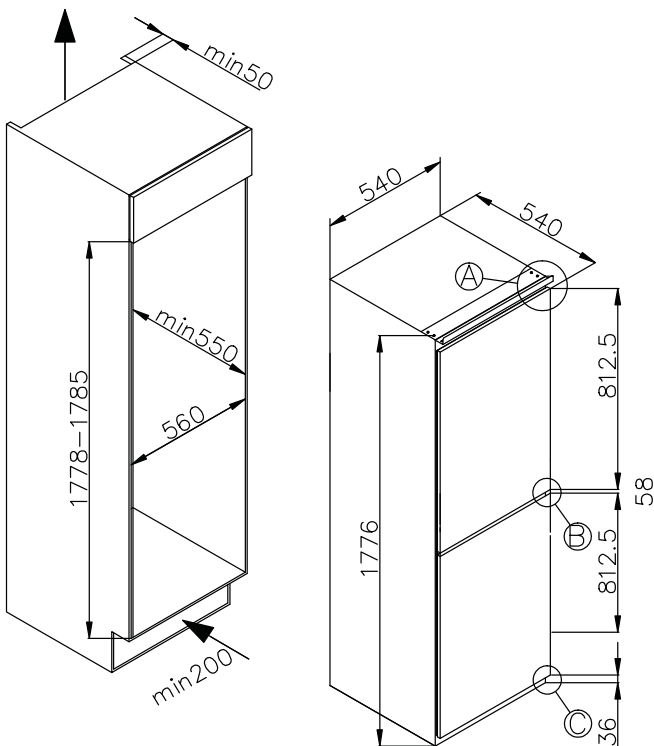
RIUL141NMA+ / RIUF101NMA+



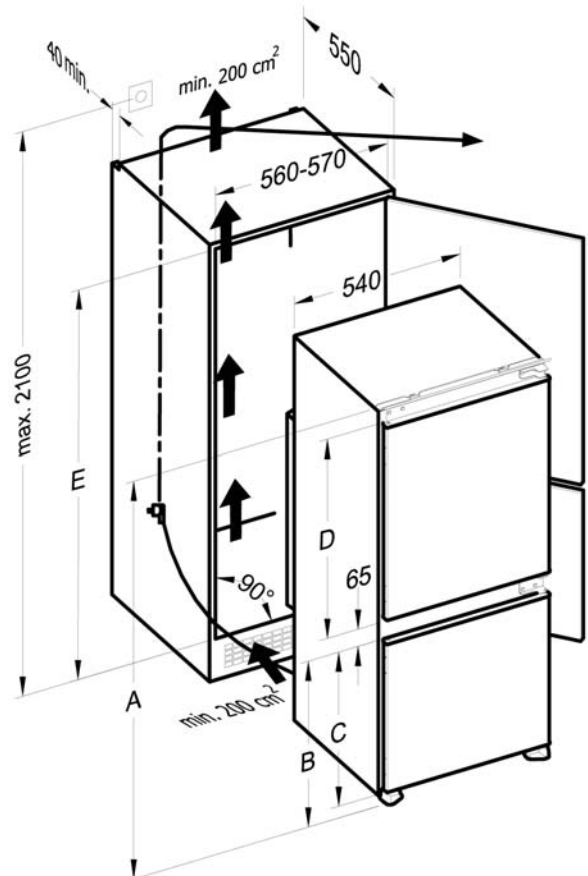
RITF391A+ / RITL395A+



RIFF50501NMA+

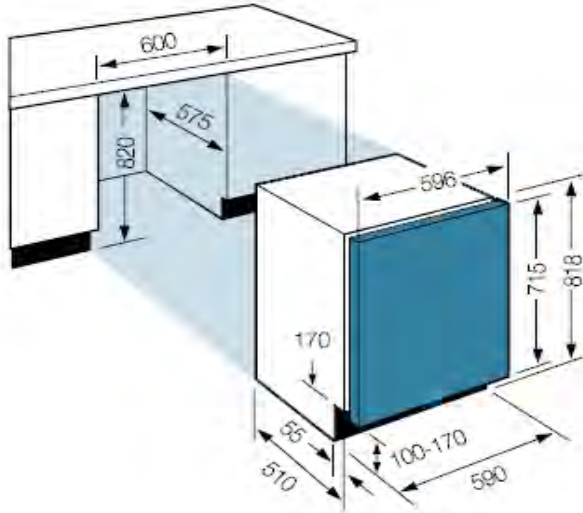


RIFF70301NMA+

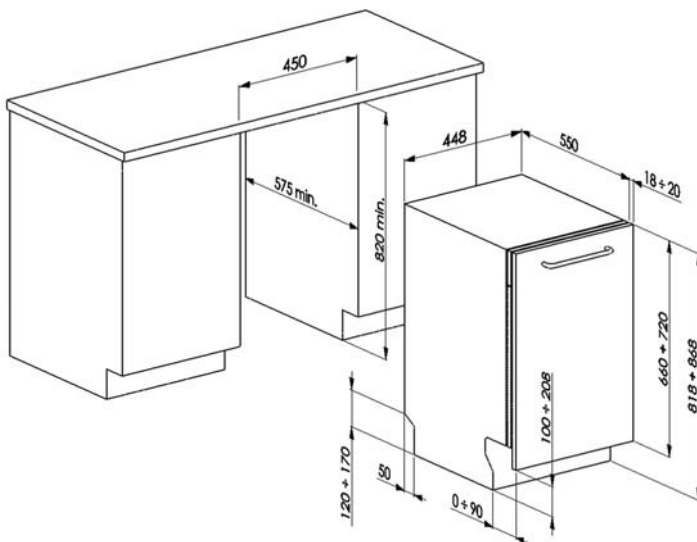


CLEAN

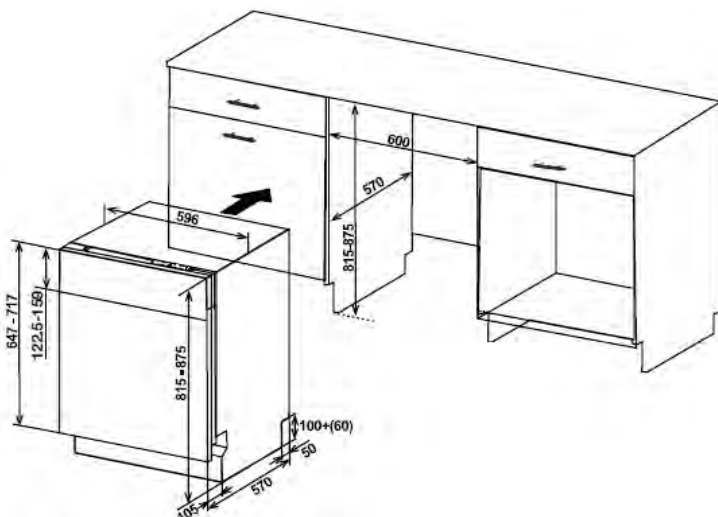
WMI1400NM / WDI1200NM



DFSN451



DF60 / DFSN60 / DSSN60



Product Code	Description	RRP	PG.	Product Code	Description	RRP	PG.
CSE50WH	50cm Electric Cooker	239	6	RETNF366C	Retro Freestanding Fridge Freezer	699	11
CSE60WH	60cm Electric Cooker	259	6	RETNF366BL	Retro Freestanding Fridge Freezer	749	11
CSG50WH	50cm Natural Gas Cooker	279	6	RUII11NMWHA+	48cm Under Counter Fridge with Ice Box	159	12
CSG50LPGWH	50cm LPG Gas Cooker	279	6	RULI21NMWHA+	48cm Under Counter Fridge	159	12
CSG60WH	60cm Natural Gas Cooker	299	6	RUF116NMWHA+	48cm Under Counter Freezer	179	12
CSG60LPGWH	60cm LPG Gas Cooker	299	6	RUI142WHA+	Under Counter Fridge with Ice Box	179	12
CTG50WH	50cm Natural Gas Cooker	349	6	RUL152WHA+	Under Counter Fridge	179	12
CTG50BK	50cm Natural Gas Cooker	359	6	RUF147WHA+	Under Counter Freezer	199	12
CTG50LPGWH	50cm LPG Gas Cooker	349	6	RFF263WHA+	Freestanding Fridge Freezer	269	13
CTG50LPGBK	50cm LPG Gas Cooker	359	6	RFF263SLA+	Freestanding Fridge Freezer	289	13
CTG60WH	60cm Natural Gas Cooker	369	6	RFF312NFWHA+	Freestanding Fridge Freezer	429	13
CTG60BK	60cm Natural Gas Cooker	379	6	RFF312NFSLA+	Freestanding Fridge Freezer	449	13
CTG60LPGWH	60cm LPG Gas Cooker	369	6	RFF332WHA+	Freestanding Fridge Freezer	419	13
CTG60LPGBK	60cm LPG Gas Cooker	379	6	RFF332SLA+	Freestanding Fridge Freezer	449	13
CTEC50WH	50cm Electric Cooker	399	6	RFF367NFWHA+	Freestanding Fridge Freezer	469	13
CTEC50BK	50cm Electric Cooker	419	6	RFF367NFSLA+	Freestanding Fridge Freezer	499	13
CTEC60WH	60cm Electric Cooker	429	6	RFF466NFMIXA+	Freestanding Fridge Freezer	749	13
CTEC60BK	60cm Electric Cooker	439	6	RTL266WHA+	Tall Larder Fridge	279	14
SO202BL	Single Fan Oven	279	7	RTF246WHA+	Tall Freezer	299	14
SO202IX	Single Fan Oven	299	7	RTL396IXA+	Tall Larder Fridge	469	14
SO302BL	Single Multifunction Oven	349	7	RTL396WHA+	Tall Larder Fridge	399	14
SO302IX	Single Multifunction Oven	379	7	RTF392NFWHA+	Tall Freezer	499	14
SOT400IX	Single Multifunction Oven	439	7	RTF392NFXA+	Tall Freezer	569	14
SOP500IX	Single Pyrolytic Oven	469	7	RIUL141INMA+	Built Under Larder Fridge	299	15
DOI302BL	Double Multifunction Oven	599	7	RIUF10INMA+	Built Under Freezer	329	15
DOI302IX	Double Multifunction Oven	599	7	RIFF5050INMA+	50:50 Integrated Fridge Freezer	499	15
DOU302BL	Built Under Double Multifunction Oven	599	7	RIFF7030INMA+	70:30 Integrated Fridge Freezer	499	15
DOU302IX	Built Under Double Multifunction Oven	599	7	RITF391A+	Integrated Tall Freezer	549	15
NM820BIX	Built In Microwave	199	7	RITL395A+	Integrated Tall Larder Fridge	499	15
CSG90IX	90cm Dual Fuel Range Cooker	699	7	WMI002WH	Freestanding Washing Machine	249	17
HE62BL	60cm Solid Plate Electric Hob	149	8	WMI002SL	Freestanding Washing Machine	269	17
HE62IX	60cm Solid Plate Electric Hob	149	8	WMI201WH	Freestanding Washing Machine	299	17
HG62BL	60cm Gas Hob	179	8	WMI201SL	Freestanding Washing Machine	319	17
HG62IX	60cm Gas Hob	179	8	WMI274WH	Freestanding Washing Machine	319	17
HC62FL	60cm Ceramic Hob	219	8	WMI274BL	Freestanding Washing Machine	349	17
HCT62FL	60cm Ceramic Hob	249	8	WMI294WH	Freestanding Washing Machine	349	17
HGW701BL	70cm Gas Hob	289	8	WDSNI400WH	Freestanding Washer Dryer	649	17
HGW701IX	70cm Gas Hob	289	8	WMII400NM	Integrated Washing Machine	599	18
HCT781FL	78cm Touch Control Ceramic Hob	299	8	WDII200NM	Integrated Washer Dryer	679	18
HCI61FL	60cm Induction Hob	349	8	TDV71NMSL	Freestanding Vented Dryer	239	18
HCI79FL	78cm Induction Hob	469	8	TDV7NMWH	Freestanding Vented Dryer	239	18
HCI90FL	90cm Induction Hob	699	8	TDC71NMSL	Freestanding Condenser Dryer	349	18
CHCAN2M	Canopy Cooker Hood	79	9	TDC7NMWH	Freestanding Condenser Dryer	349	18
CHIINT1M	60cm Integrated Cooker Hood	89	9	DW46WH	45cm Freestanding Dishwasher	279	19
CHIINT2M	60cm Integrated Cooker Hood	119	9	DW63WH	Freestanding Dishwasher	299	19
CHCMY60IX	60cm Chimney Cooker Hood	129	9	DW63SL	Freestanding Dishwasher	299	19
CHCMY90IX	90cm Chimney Cooker Hood	159	9	DW63BL	Freestanding Dishwasher	299	19
CHGLS60IX	60cm Chimney Cooker Hood	349	9	DWSN62WH	Freestanding Dishwasher	449	19
CHGLS90IX	90cm Chimney Cooker Hood	399	9	DWSN62IX	Freestanding Dishwasher	499	19
RET340C	Retro Freestanding Fridge	599	11	DFSN45I	45cm Fully Integrated Dishwasher	349	19
RET340R	Retro Freestanding Fridge	599	11	DF60	Fully Integrated Dishwasher	399	19
RET340BL	Retro Freestanding Fridge	649	11	DFSN60	Fully Integrated Dishwasher	449	19
RET345C	Retro Freestanding Fridge Freezer	599	11	DSSN60IX	Semi Integrated Dishwasher	439	19
RET345R	Retro Freestanding Fridge Freezer	599	11	DSSN60BL	Semi Integrated Dishwasher	439	19
RET345BL	Retro Freestanding Fridge Freezer	649	11				

KAL, 4078 Kingswood Road
Citywest Business Campus
Dublin 24
T: 01 413 6444
kalcsu@kal.ie
www.nordmende.ie
www.kal.ie



AB Distributors
2 Cromac Place, The Gasworks
Ormeau Road, Belfast, BT7 2JB
T: 028 9023 5088
mail@abdistributors.co.uk
www.nordmende.ie
www.abdistributors.co.uk



A member of the
Gowan Group

After-Sales Service

At NordMende, the quality of our after-sales service is just as important to us as the quality of our products. Naturally, if you choose an appliance supplied by us, you will be able to rely upon your appliance to provide you with many years of loyal service and devotion

to duty. However, in the event of a problem, you can feel secure in the knowledge that NordMende's service is based right here in Ireland with a network of engineers nationwide.

Before contacting us please have the following information to hand:

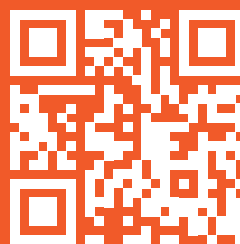
1. Full model number
2. Full serial number
3. Date of purchase
4. Name of retailer purchased from
5. Your name, address & number
6. Fault details

* Warranty Information

NordMende COOK, CLEAN & COOL products are fully guaranteed for 2 years from the date of purchase. If you register your product online within 30 days of purchase you'll

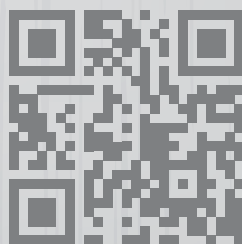
receive an additional 1 year guarantee (so 3 years in total). During that time period any repairs you need will be carried out by our national network of

service engineers. Your warranty covers major parts only. Excludes microwaves and televisions which carry a 1 year parts and labour warranty.



NORDMENDE

SMART LIVING



www.nordmende.ie