

# KITCHEN STORAGE FITTINGS AND ACCESSORIES





**Vauth-Sagel**

As a manufacturing supplier to industry, Häfele's partner VAUTH-SAGEL Systemtechnik works with the widest variety of materials such as wood, plastic, sheet metal and metal - and brings them together producing high quality German engineered products.

For over one hundred years wire has been manufactured, shaped and processed in many different ways. VAUTH-SAGEL Systemtechnik have been constantly perfecting wire processing and is one of the leading manufacturers of functional fittings for the furniture industry.



**Swing out pantry unit with white Premea bases and Glassline inserts, shown on pages 8-9**



**Recorner maxx® - working parts are virtually unseen, shown on pages 22-23**



**HSA power move® for use with Vauth-Sagel larder units, shown on pages 4-7**



Premea glassline . . . . . **2-3**

HSA pull out larder units . . . . . **4-5**

Power move® electric motor . . . . . **6**

HSA rotary larder units . . . . . **6-7**

DUSA® swing out pantry units . . . . . **8-9**

Base liner pull out system . . . . . **10-11**

Wari corner® swing out corner storage units . . . . **12-13**

DSA pull out storage - frames and baskets . . . . **14-17**

Pull out storage sets . . . . . **18-19**

Rotary 45° angled storage units . . . . . **20**

Pull out storage baskets . . . . . **21**

Recorner maxx® pole-free shelving units . . . . . **22-23**

Twin corner pull out shelving units . . . . . **24-25**

Slide corner shelving units . . . . . **26**

Swing out waste bins . . . . . **27**

Oeko liner pull out waste bins . . . . . **28**

Oeko flexliner system for drawer boxes . . . . . **29**



*Base cabinet pull-out*



*Recorner maxx*



*Flexible Base liner*



*Corner storage pull-out*

V-S 2011, HUK. Dimensional data not binding. We reserve the right to alter specifications without notice.



The new Premea Glassline basket follows the current trend towards glass and gives you the opportunity to create your own individual kitchen furniture design.

- The new range of Premea Glassline baskets are available for the complete range of Vauth-Sagel fittings
- The glass side panels are easy to change without any tools
- Decor panels are available in clear or frosted glass as standard or create your own for a very individual kitchen furniture design

**Note:** Glassline glass side panels are optional and must always be ordered separately if required.



**Clear glass**



**Frosted glass**



**HSA**

The HSA pull out larder unit has an elegant and uniform design and allows full access to the contents of every basket. *Pages 4-5*



**DUSA®**

The proven classic DUSA® tall larder unit guarantees a high degree of convenience and functionality. Its high safety standards and harmonious design make it an element that you do not want to be without in any state-of-the-art kitchen.

Baskets can be individually positioned at the required height in both the cabinet frame and on the door frame. *Pages 8-9*

V-S 2011, HUK. Dimensional data not binding. We reserve the right to alter specifications without notice.



**Recorner maxx®**

This pole-free corner cabinet solution provides a distinctly greater amount of storage space with no space limiting central column, allowing optimum use of storage space. *Pages 22-23*



**DSA**

The DSA side pull-out is the proven solution for base cabinets. This popular classic has additional front stabilization and an adjustment device for wide fronts and all angles. *Pages 14-17*



**Wari corner®**

This clever storage unit is designed so that the rear baskets automatically follow the front baskets when the door is opened and pulled away from the cabinet, making all baskets easily accessible when the unit is fully opened. *Pages 12-13*

V-S 2011, HUK. Dimensional data not binding. We reserve the right to alter specifications without notice.

HSA Pull Out Larder Units

**HSA pull out larder units**

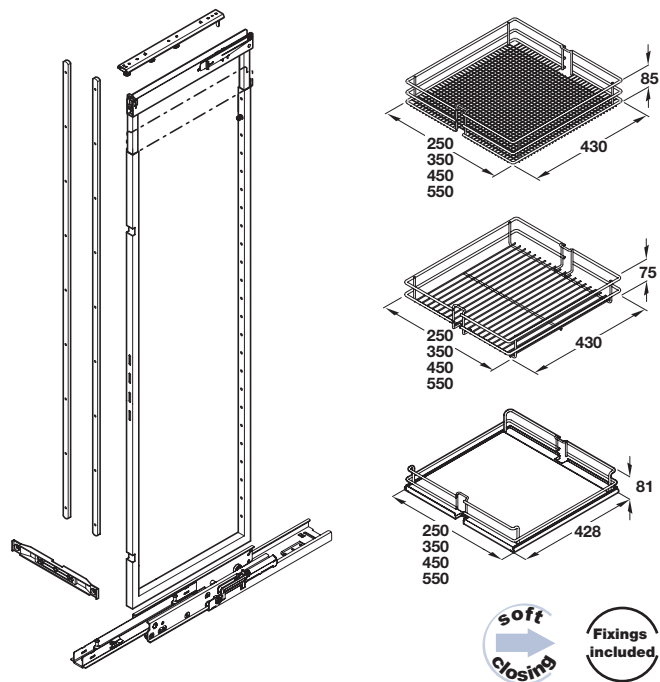
Larder unit pulls out allowing full access to the contents of every basket. Integrated soft close system ensures quiet, smooth closing of the pull out.

Choice of wire baskets, linear or mesh, or white Premea solid based baskets. Baskets are included with larder unit sets.

Additional single baskets are available for installed height of 2150-2330 mm.

Optional Glassline glass side insert sets can be ordered separately for Premea style baskets.

Cabinets are not included.



**Power move®**

The power move® electric motor for use with larder units shown on pages 4-7 is shown in detail on page 6.



Power move® makes the pull-out larder units even smoother and more simple to operate.

Baskets are included with larder unit sets, glass sides optional



**HSA larder unit complete set, centre mounting, height adjustable, full extension**

- For installed heights:  
 950-1200 mm: **4x baskets included**  
 1200-1450 mm, 1450-1700 mm: **4x baskets included**  
 1700-1950 mm, 1900-2150 mm, 2140-2330 mm: **5x baskets included** (single baskets can be ordered in addition separately)
- Built-in depth 470 mm
- For cabinet widths 300, 400, 500 or 600 mm

**Set includes:**

- 1x Frame set
- 1x Runner set
- 1x Basket set

For cabinet width	300 mm	400 mm	500 mm	600 mm
Basket width	250 mm	350 mm	450 mm	550 mm
Installed height (mm)	<b>Larder unit with mesh wire storage baskets</b>			
950-1200	547.20.501	547.20.511	547.20.521	547.20.531
1200-1450	547.20.502	547.20.512	547.20.522	547.20.532
1450-1700	547.20.503	547.20.513	547.20.523	547.20.533
1700-1950	547.20.504	547.20.514	547.20.524	547.20.534
1900-2150	547.20.505	547.20.515	547.20.525	547.20.535
2140-2330	547.20.506	547.20.516	547.20.526	547.20.536
Installed height (mm)	<b>Larder unit with linear wire storage baskets</b>			
950-1200	547.20.541	547.20.551	547.20.561	547.20.571
1200-1450	547.20.542	547.20.552	547.20.562	547.20.572
1450-1700	547.20.543	547.20.553	547.20.563	547.20.573
1700-1950	547.20.544	547.20.554	547.20.564	547.20.574
1900-2150	547.20.545	547.20.555	547.20.565	547.20.575
Installed height (mm)	<b>Larder unit with solid base Premea baskets</b>			
950-1200	547.20.601	547.20.611	547.20.621	547.20.631
1200-1450	547.20.602	547.20.612	547.20.622	547.20.632
1450-1700	547.20.603	547.20.613	547.20.623	547.20.633
1700-1950	547.20.604	547.20.614	547.20.624	547.20.634
1900-2150	547.20.605	547.20.615	547.20.625	547.20.635

Order qty: 1 set



Linear wire baskets



Mesh wire baskets



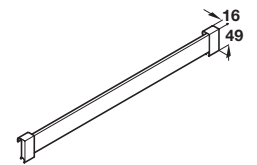
Baskets with Premea base, polished chrome fixing clips and glass sides

**Single additional basket set**

- Four basket widths to suit cabinet widths 300, 400, 500 or 600 mm
- Available in 3 styles; mesh chrome wire, linear chrome wire or white Premea solid base
- Additional single baskets can be added for installed height of 2150-2330 mm up to a total of 7 baskets
- 2x Grey plastic basket hanging clips for 1 basket included

<b>Single basket set</b>				
For cabinet width	300 mm	400 mm	500 mm	600 mm
Basket width	250 mm	350 mm	450 mm	550 mm
<b>Mesh wire storage baskets</b>				
1 basket set	547.25.351	547.25.350	547.25.353	547.25.354
<b>Linear wire storage baskets</b>				
1 basket set	547.25.361	547.25.360	547.25.363	547.25.364
<b>Solid base Premea storage baskets</b>				
1 basket set	547.25.681	547.25.680	547.25.683	547.25.684

Order qty: 1 set



**Glassline insert set**

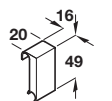
- Glass side panels (400 x 38.5 x 5 mm) and clips in quantities suitable for 1, 4 or 5 basket sets (2 sides and 4 clips per basket)
- **For use with solid base Premea baskets only**
- Panels slot into fixing clips, fixing clips clip onto basket front/rear

<b>Glass sides insert set for use with solid base Premea baskets</b>		
For use with	Clear glass	Frosted glass
1 basket set	547.24.441	547.24.541
4 basket set	547.24.444	547.24.544
5 basket set	547.24.445	547.24.545

Order qty: 1 set

**Additional plastic clip set**

- 1 set includes 2 pairs of clips, suitable to fit 2 glass sides to 1 Premea basket



Finish	Cat. No.
Polished chrome	547.24.252

Order qty: 1 set (1 set = 2 pairs)

**Additional plastic clip, other colours**

- Handed; order 1 left and 1 right for each glass side

Finish	Left hand	Right hand
Grey	547.24.651	547.24.650
Black	547.24.351	547.24.350
White	547.24.751	547.24.750

Order qty: 1 pc

HSA Rotary Larder Units, Power Move® Electric Motor



**Chrome mesh baskets** - rotary larder unit with chrome plated steel mesh baskets.

HSA rotary larder units rotate through 90° in either direction, allowing full access to the contents of every basket.

A safety mechanism locks the runner when the unit rotates, to prevent the unit from closing until the frame is moved back in-line.

Integrated damping ensures quiet, smooth closing of the pull out.

Choice of wire baskets, linear or mesh, or white Premea solid based baskets. Baskets are included with larder unit sets.

Optional Glassline glass side insert sets can be ordered separately for Premea style baskets.

Cabinets are not included.



**Power move® electric motor**

- For use with larder units shown on pages 4-7
- Order adaptor separately when used with rotary larder units shown on page 7
- Can be retro-fitted
- Fixings included
- Drive control is dependent on load and will adjust itself automatically
- By lightly pulling or pressing the cabinet front the electric motor is triggered to open the larder unit
- Rubber minimises the amount of noise transmitted to the cabinet
- Safety stop: Pull out movement is stopped if larder unit touches person or object in the way
- If power fails, the larder unit can be used like a normal pull-out unit
- Grey plastic

	Cat. No.
Power move®	547.21.090
Adaptor for rotary larder units	547.22.090

Order qty: 1 pc





**HSA rotary larder unit complete set, centre mounting, height adjustable, full extension, with storage baskets**

- For installed heights: 1790-2040 or 1990-2230 mm
- Built-in depth 500 mm
- For cabinet width 300 or 400 mm

**Set includes:**

**1x Rotary frame set:**

Hanging frame, silver epoxy coated tubular steel, height adjustable  
 Door panel mounting bars; 2x bars, silver epoxy coated steel  
 Fixing screws and fitting instructions

**1x Runner set:**

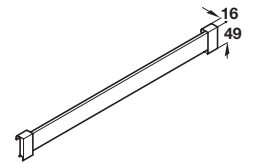
Top and bottom runners, zinc-plated steel, full extension, ball cage top runner with damper and self closing bottom roller runner with damper, max. load carrying capacity 80 kg per unit  
 Fixing screws and fitting instructions

**1x Basket set:**

5 mesh, linear or Premea solid base baskets  
 Grey plastic basket hanging clips  
 Door panel mounting plates; steel, 3 way adjustable  
 Adjustable plinth foot, for screw fixing, for plinth height 150 mm. Included in 400 width set only

For cabinet width	300 mm	400 mm
Basket width	250 mm	350 mm
Installed height	Larder unit with <b>mesh wire storage baskets</b>	
1790-2040 mm	547.22.904	547.22.924
1990-2230 mm	547.22.905	547.22.925
Installed height	Larder unit with <b>linear wire storage baskets</b>	
1790-2040 mm	547.22.504	547.22.524
1990-2230 mm	547.22.505	547.22.525
Installed height	Larder unit with <b>solid base Premea baskets</b>	
1790-2040 mm	547.22.804	547.22.824
1990-2230 mm	547.22.805	547.22.825

Order qty: 1 set



**Glassline insert set**

- Glass side panels (400 x 38.5 x 5 mm) and clips in quantities suitable for 5 basket set (2 sides and 4 clips per basket)
- **For use with solid base Premea baskets only**
- Panels slot into fixing clips, fixing clips clip onto basket front/rear

**Glass sides insert set for use with solid base Premea baskets**

For use with	Clear glass	Frosted glass
5 basket set	547.24.445	547.24.545

Order qty: 1 set

**Additional plastic clip set**

- 1 set includes 2 pairs of clips, suitable to fit 2 glass sides to 1 Premea basket



Finish	Cat. No.
Polished chrome	547.24.252

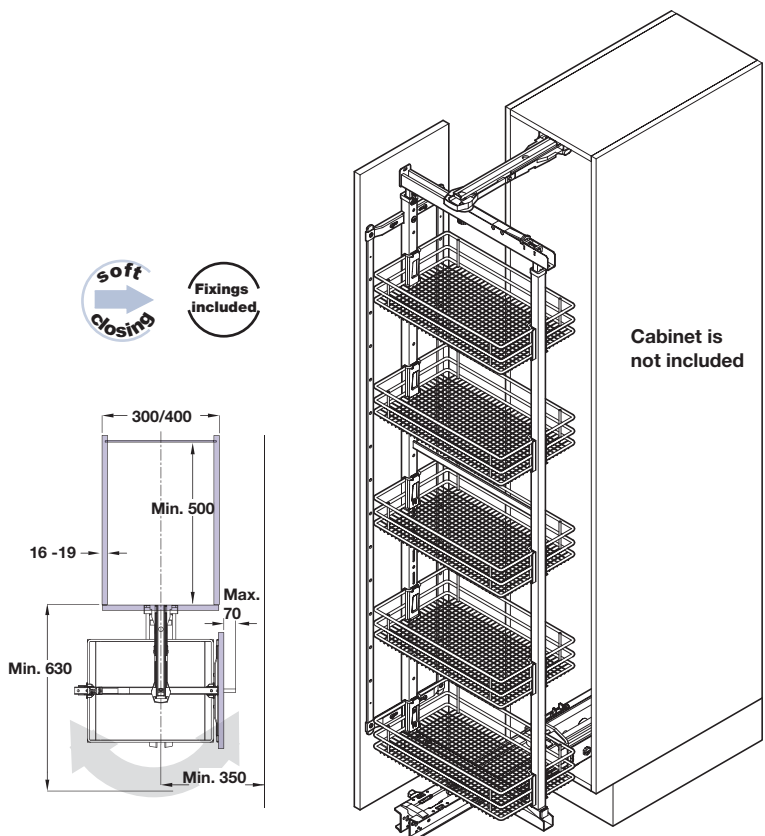
Order qty: 1 set (1 set = 2 pairs)

**Additional plastic clip, other colours**

- Handed; order 1 left and 1 right for each glass side

Finish	Left hand	Right hand
Grey	547.24.651	547.24.650
Black	547.24.351	547.24.350
White	547.24.751	547.24.750

Order qty: 1 pc





DUSA® Swing Out Pantry Units

DUSA® swing out pantry units

For 500 mm cabinet widths, this pull out pantry unit includes baskets for both door frame and main pull out.

The pantry unit is easy to use; the baskets are pulled out of the cabinet at the same time as the door is opened.

Baskets can be individually positioned at the required height in both the cabinet frame and on the door frame.

Symmetrical height alignment of both cabinet and door baskets is possible, if required.

Two integrated dampers ensures quiet, smooth closing of the pull out.

Pantry units are supplied complete with choice of baskets included: Baskets are available in chrome wire mesh, linear wire or with white Premea solid base.

Optional Glassline glass side insert sets can be ordered separately for Premea style baskets.

Cabinet is not included.



Baskets can be individually positioned at the required height in both the cabinet frame and on the door frame.



Swing out pantry unit with Premea solid base storage baskets and glass sides



Symmetrical height alignment of both cabinet and door baskets is possible, if required.



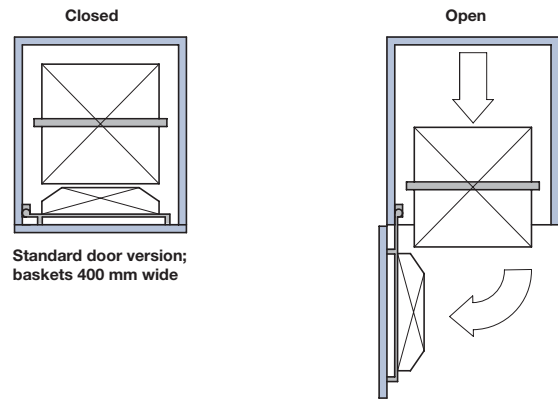
Swing out pantry unit with mesh wire storage baskets

V-S 2011, HUK. Dimensional data not binding. We reserve the right to alter specifications without notice.

DUSA® Swing Out Pantry Units

DUSA® swing out pantry unit complete set

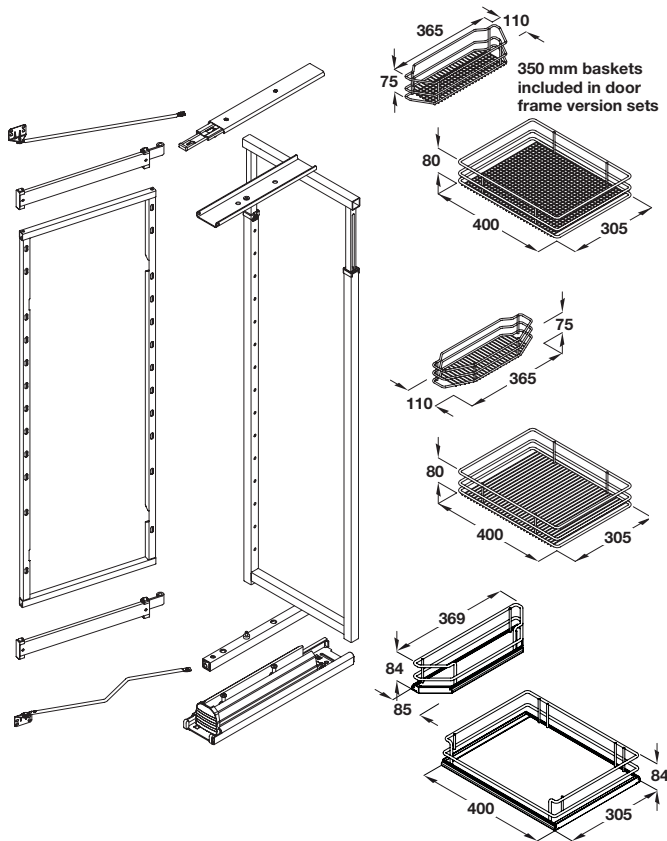
- For installed heights:  
950-1200 mm: **3x Each basket** (door and main) included  
1200-1450, 1450-1700 mm: **4x Each basket** (door and main) included  
1700-1950, 1900-2150 mm: **5x Each basket** (door and main) included  
2150-2350 mm: **7x Each basket** (door and main) included
- Built-in depth 480 mm
- For cabinet width 500 mm



DUSA® swing out pantry unit complete set, centre and door mounting, height adjustable, full extension

Set includes:

- **Hanging frame;** silver epoxy coated tubular steel, height adjustable
- **Door mounting frame;** silver epoxy coated steel with zinc-plated steel hinge support arms
- **Top and bottom runners;** full extension, ball cage top runner with damper and self closing bottom roller runner with damper, max. load carrying capacity 80 kg per unit
- **Storage baskets for main frame;** chrome-plated steel, available in 3 styles; mesh chrome wire, linear chrome wire or solid base
- **Storage baskets for door frame,** available in 3 styles; mesh chrome wire, linear chrome wire or solid base
- **Basket hanging and securing clips;** grey plastic
- **Door frame support hinges;** grey plastic
- **Door panel mounting bars;** silver epoxy coated tubular steel
- **Door frame fixing arm;** grey plastic, adjustable
- Fitting instructions

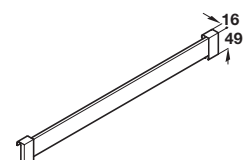


For cabinet width	500 mm
Basket width	400 mm
Installed height	
<b>Pantry unit with mesh wire storage baskets</b>	
950-1200 mm	547.27.211
1200-1450 mm	547.27.212
1450-1700 mm	547.27.213
1700-1950 mm	547.27.214
1900-2150 mm	547.27.215
2150-2350 mm	547.27.216
<b>Pantry unit with linear wire storage baskets</b>	
1900-2150 mm	547.27.245
<b>Pantry unit with solid base Premea storage baskets</b>	
1700-1950 mm	547.27.714
1900-2150 mm	547.27.715

Order qty: 1 set



Premea solid base storage baskets with glass sides



Glassline insert set

- Set includes:  
5x Glass side panels for main frame baskets (372 x 38.5 x 5 mm)  
5x Glass side panels for door frame baskets (233 x 38.5 x 5 mm)  
20x Plastic clips (2 clips for each basket to secure glass side panel)
- Suitable for use with pantry sets **547.27.714** and **542.27.715** only
- Panels slot into fixing clips, fixing clips clip onto basket front/rear

<b>Glass sides insert set for use with solid base Premea baskets</b>		
Finish	Clear glass	Frosted glass
Polished chrome clips	547.30.499	547.30.599

Order qty: 1 set



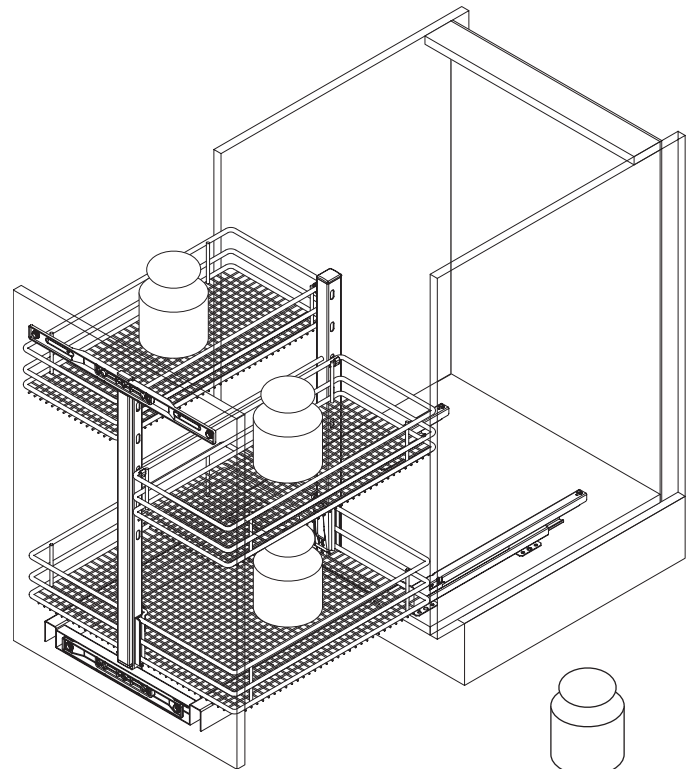
**Base liner**

The flexible storage system for base cabinets.

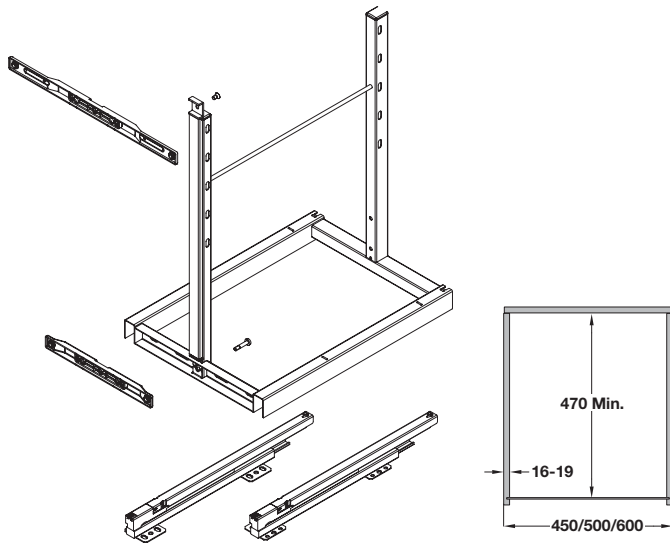
Bottom basket and side baskets are ordered separately to suit your own requirements. The front attachment for the hanging frame is height adjustable which means that either two or three basket levels are possible - single bottom basket and then either one or two pairs of side baskets to go above the base basket.

For use with standard 450, 500 or 600 door fronts as well as framed door fronts.

A bottle rack is also available, which can be purchased as an option instead of a side basket.



V-S 2011, HUK. Dimensional data not binding. We reserve the right to alter specifications without notice.



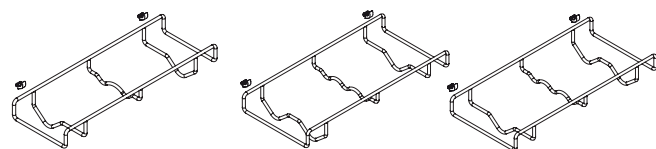
**Base liner pull out frame**

- Unhanded, for use with baskets shown
- Installed height: 587-800 mm
- Built-in depth: Min. 470 mm
- For cabinet width 450/500/600 mm
- Set includes
  - 1x **Base mounted frame**; silver epoxy coated steel
  - 2x **Door panel hanging plates**; silver epoxy coated steel
  - 1x **Pair ball bearing runners**; galvanized steel with integrated soft close damper
- Fixing materials and fitting instructions



For cabinet widths	Cat. No.
450/500/600 mm	548.06.204

Order qty: 1 set



For 450 mm cabinet width Holds 2 bottles    For 500 mm cabinet width Holds 3 bottles    For 600 mm cabinet width Holds 4 bottles

**Base liner bottle rack (optional)**

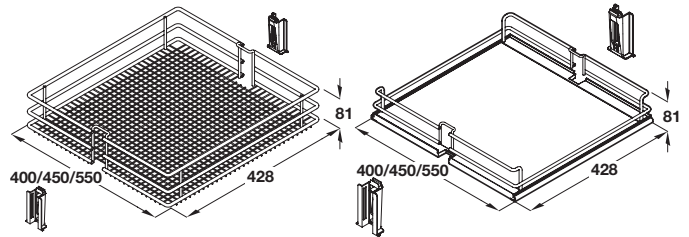
- Unhanded, alternative option to side basket
- Height x depth: 79 x 455 mm
- Set includes 1x rack and 2x grey plastic securing clips
- Polished chrome-plated steel



For cabinet width	450 mm	500 mm	600 mm
Rack width	162 mm	212 mm	262 mm
For	2 bottles	3 bottles	4 bottles
Cat. No.	548.06.221	548.06.222	548.06.223

Order qty: 1 set

**Order frame and basket sets separately**

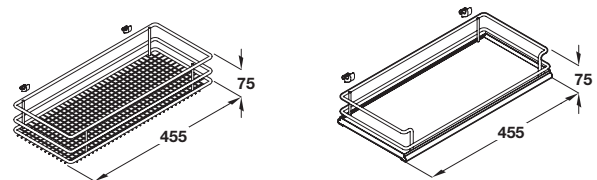


**Base liner bottom storage basket set**

- Unhanded
- Height x depth: 81 x 428 mm
- Set includes 1x storage basket and 2x grey plastic securing clips
- Polished chrome-plated steel baskets, available as mesh or with white Premea base
- Glass insert sides are available for Premea basket only - see below
- **Note:** Pull out frame must be ordered separately

For cabinet width	450 mm	500 mm	600 mm
Basket width	400 mm	450 mm	550 mm
Mesh chrome	548.06.331	548.06.332	548.06.333
Chrome/Premea	548.06.731	548.06.732	548.06.733

Order qty: 1 set



**Base liner side storage basket set**

- Unhanded
- Height x depth: 75 x 455 mm
- Set includes 1x storage basket and 2x grey plastic securing clips
- Polished chrome-plated steel baskets, available as mesh or with white Premea base
- Glass insert sides are available for Premea basket only - see below
- **Note:** Pull out frame must be ordered separately

For cabinet width	450 mm	500 mm	600 mm
Basket width	187 mm	212 mm	262 mm
Mesh chrome	548.06.341	548.06.342	548.06.343
Chrome/Premea	548.06.741	548.06.742	548.06.743

Order qty: 1 set



**Glassline insert set**

- Glass side panels (400/422 x 38.5 x 5 mm) and polished chrome plastic clips in quantities suitable for:
  - Bottom basket set - 2 sides and 4 clips per basket
  - Side basket set - 1 side and 2 clips per basket
- **For use with Base liner solid base Premea baskets only**
- Panels slot into fixing clips, fixing clips clip onto basket front/rear

Glass sides insert set for use with solid base Premea baskets			
For use with	Glass width	Clear glass	Frosted glass
Bottom basket set	400 mm	547.24.441	547.24.541
Side basket set	422 mm	548.06.490	548.06.590

Order qty: 1 set



# Wari Corner® Swing Out Corner Storage Units

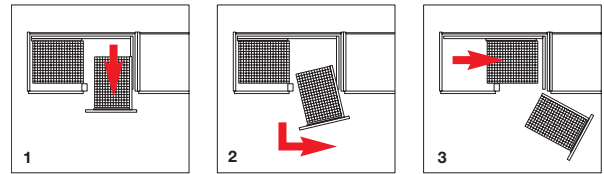
This clever storage unit is designed so that the rear baskets automatically follow the front baskets when the door is opened and pulled away from the cabinet.

Door front fixing with integrated 3D adjustment and central height alignment allows the swing out corner storage unit to be fitted perfectly.

Upon opening, the front baskets automatically swing away leaving free access to the back basket, making all baskets easily accessible when the unit is fully opened.

Integrated damping ensures quiet, smooth closing of the pull out.

Optional Glassline glass side insert sets can be ordered separately for Premea style baskets.



**Automatic pull-out action** - rear baskets automatically follow front baskets when the door is pulled away from the cabinet.

Right hand shown.

### Choice of baskets:



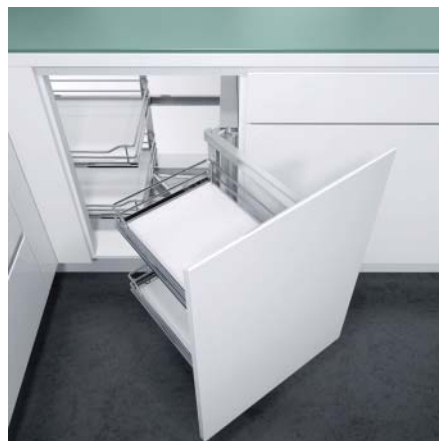
Mesh wire baskets



White premea base with glass side inserts



Automatic pull out action



Right hand version shown



V-S 2011, HUK. Dimensional data not binding. We reserve the right to alter specifications without notice.



Wari Corner® Swing Out Corner Storage Units

**Wari corner® swing out corner storage unit complete set, automatic pull out action**

- Installed height: 530 mm
- Built-in depth: 485 mm
- For minimum cabinet width 800 or 900 mm, 900 mm version can also be used in 1000 or 1200 mm cabinets

**Set includes:**

**1x Frame set:**

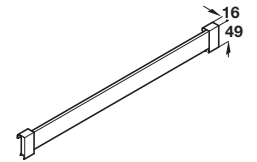
- Rear hanging frame and base mounting track; silver epoxy coated tubular steel
- Door frame with pivot; silver epoxy coated tubular steel
- Back frame; silver epoxy coated tubular steel
- Door frame follower; fiber glass improved plastic
- Door panel hanging plates; silver coloured steel, 3 way adjustable, 800 mm version to suit 400 mm door widths 900 mm version to suit 450, 500 and 600 mm door widths
- Fixing screws and fitting instructions

**1x Basket set:**

- 2x Storage baskets (rear); chrome-plated, available in 3 styles; mesh chrome wire, linear chrome wire or Premea white solid base, max. load carrying capacity 9.5 kg
- 2x Storage baskets (door); chrome-plated, available in 3 styles; mesh chrome wire, linear chrome wire or Premea white solid base, max. load carrying capacity 8 kg



Right hand version shown above



**Glassline insert set**

- Set includes:
  - 2x Glass side panels for cabinet baskets 300\*/400 x 38.5 x 5 mm
  - 2x Glass side panels for front baskets 420 x 38.5 x 5 mm
  - 8x Clips for side panels, polished chrome plastic
- Suitable for 1 unit
- **For use with solid base Premea baskets only**
- Panels slot into fixing clips, fixing clips clip onto basket front/rear

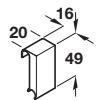
**Glass sides insert set for use with solid base Premea baskets**

For use with	Clear glass	Frosted glass
800 mm version	548.19.468	548.19.568
900 mm version	548.19.469	548.19.569

Order qty: 1 set

**Additional plastic clip set**

- 1 set includes 2 pairs of clips, suitable to fit 2 glass sides



Finish	Cat. No.
Polished chrome	547.24.252

Order qty: 1 set (1 set = 2 pairs)

**Additional plastic clip, other colours**

- Handed; order 1 left and 1 right for each glass side

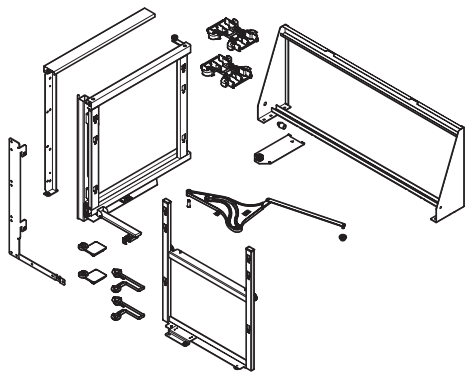
Finish	Left hand	Right hand
Grey	547.24.651	547.24.650
Black	547.24.351	547.24.350
White	547.24.751	547.24.750

Order qty: 1 pc

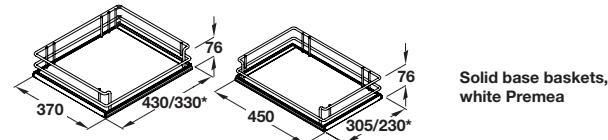
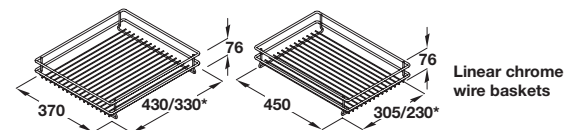
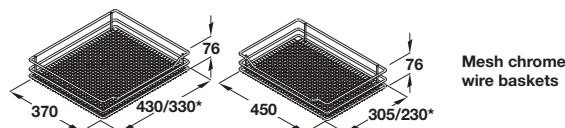
800 mm version*		
Basket style	Left hand	Right hand
Mesh wire, chrome-plated	548.17.225	548.17.224
Linear wire, chrome-plated	548.17.205	548.17.204
Solid base, white Premea, chrome	548.17.265	548.17.264
900 mm version (also for 1000 and 1200 mm)		
Basket style	Left hand	Right hand
Mesh wire, chrome-plated	548.17.235	548.17.234
Linear wire, chrome-plated	548.17.215	548.17.214
Solid base, white Premea, chrome	548.17.275	548.17.274

Order qty: 1 set

Rear hanging frame and door frame - left hand version shown



Choice of baskets included with sets

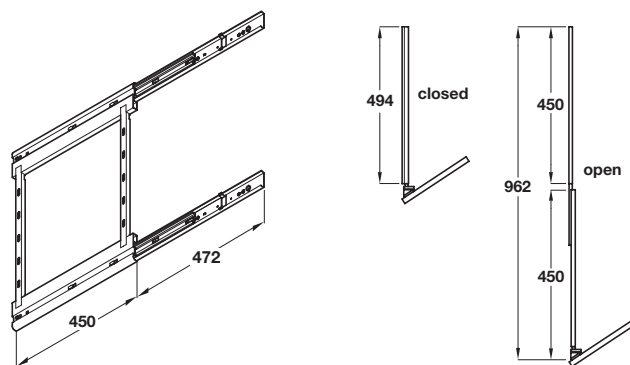




DSA Pull Out Storage - Frame and Baskets



150 mm cabinets - order frame and 82 mm basket set separately



**Pull out storage unit frame**

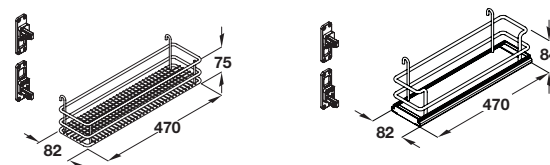
- Unhanded, for use with baskets shown
- Integrated soft close damper
- Installed height: 600 mm
- Built-in depth: See baskets, for cabinet width 150/300 mm
- Steel



Finish	Cat. No.
Silver epoxy coated	546.39.996

Order qty: 1 set

**Pull out storage unit frame must be ordered separately - shown above**



**Storage basket set, 82 mm width**

- Unhanded
- Built-in depth: 495 mm
- Set includes 2x storage baskets, 4x clips and 2x door hanging plates
- Polished chrome-plated steel baskets, zinc-plated steel basket securing clips and door hanging plates
- **Note:** Pull out frame must be ordered separately



Basket style	Cat. No.
Mesh chrome wire basket set	546.39.380
White Premea base basket set	546.39.330

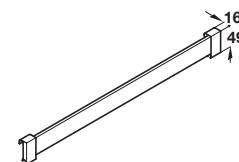
Order qty: 1 set

**DSA**

The DSA side pull-out is the proven solution for base cabinets. This popular classic has additional front stabilization and an adjustment device for wide fronts and all angles.

Frame has integrated soft close damper.

Order frame and baskets separately. Optional Glassline glass side insert sets can be ordered separately for Premea style baskets.



**Glassline insert set**

- Glass side panels (442 x 38.5 x 5 mm) and clips in quantities suitable for 90° 82 and 230 mm basket sets, i.e. 2 side panels and 4 clips (1 side and 2 clips per basket)
- **For use with 90° solid base Premea baskets only**  
Panels slot into fixing clips, fixing clips clip onto basket front/rear

Glass sides insert set for use with solid base Premea baskets		
For use with	Clear glass	Frosted glass
90° 82/230 mm basket sets	546.40.480	546.40.580

Order qty: 1 set (= 2 side panels and 4 clips)





- order frame and basket with oven tray holder set separately

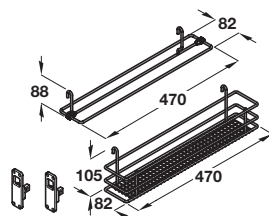
- order frame and basket/towel holder set separately

**Pull out storage unit frame must be ordered separately - refer to page 14**

**Pull out storage unit frame must be ordered separately - refer to page 14**

**Storage basket and oven tray holder set, 82 mm width**

- Unhanded
- Built-in depth: 495 mm
- Set includes 1x storage basket, 1x oven tray holder, 4x clips and 2x door hanging plates
- Polished chrome-plated steel basket and towel rail, zinc-plated steel basket securing clips and door hanging plates
- **Note:** Pull out frame must be ordered separately



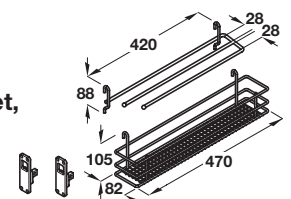
**Fixings included**

Mesh chrome wire set	Cat. No.
Unhanded	546.39.440

Order qty: 1 set

**Storage basket and towel holder set, 82 mm width**

- Left or right handed
- Built-in depth: 495 mm
- Set includes 1x storage basket, 1x towel rail, 4x clips and 2x door hanging plates
- Polished chrome-plated steel basket and towel rail, zinc-plated steel basket securing clips and door hanging plates
- **Note:** Pull out frame must be ordered separately



**Fixings included**

Mesh chrome wire set	Left hand	Right hand
Cat. No.	546.39.350	546.39.340

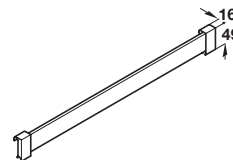
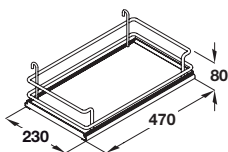
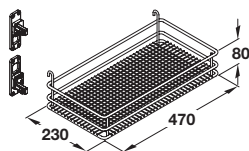
Order qty: 1 set

V-S 2011, HUK. Dimensional data not binding. We reserve the right to alter specifications without notice.



300 mm cabinet - order frame, 230 mm basket set and optional glass sides separately

Pull out storage unit frame must be ordered separately - refer to page 14



Storage basket set, 230 mm width



- Unhanded
- Built-in depth: 495 mm
- Set includes 2x storage baskets, 4x securing clips and 2x door hanging plates
- Polished chrome-plated steel baskets, zinc-plated steel securing clips and door hanging plates
- **Note:** Pull out frame must be ordered separately

Basket style	Cat. No.
Mesh chrome wire basket set	546.39.243
White Premea base basket set	546.39.233

Order qty: 1 set

Glassline insert set

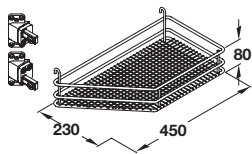
- Glass side panels (442 x 38.5 x 5 mm) and clips in quantities suitable for 90° 82 and 230 mm basket sets, i.e. 2 side panels and 4 clips (1 side and 2 clips per basket)
- **For use with 90° solid base Premea baskets only**
- Panels slot into fixing clips, fixing clips clip onto basket front/rear

Glass sides insert set for use with solid base Premea baskets		
For use with	Clear glass	Frosted glass
90° 82/230 mm basket sets	546.40.480	546.40.580

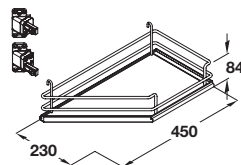
Order qty: 1 set (= 2 side panels and 4 clips)



Angled 300 mm cabinet - order frame and angled basket set separately



Right hand  
45° version shown



**30/35° or 45° basket set, 230 mm width**

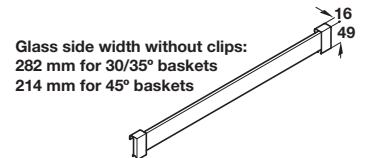
- Left or right handed
- Built-in depth: 510 mm for 30/35°, 520 mm for 45° baskets
- Set includes 2x storage baskets, 4x securing clips and 2x door hanging plates
- Polished chrome-plated steel baskets, zinc-plated steel securing clips and door hanging plates
- **Note:** Pull out frame must be ordered separately



Basket angle	30/35°	45°
Mesh chrome wire basket set		
Left hand	546.39.053	546.39.153
Right hand	546.39.043	546.39.143
White Premea base basket set		
Left hand	546.39.033	546.39.133
Right hand	546.39.023	546.39.123

Order qty: 1 set

**Pull out storage unit frame must be ordered separately - refer to page 14**



Glass side width without clips:  
282 mm for 30/35° baskets  
214 mm for 45° baskets

**Glassline insert set**

- Glass side panels (282/214 x 38.5 x 5 mm) and clips in quantities suitable for 30/35° or 45° 230 mm basket sets, i.e. 2 side panels and 4 clips (1 side and 2 clips per basket)
- **For use with angled solid base Premea baskets only**
- Panels slot into fixing clips, fixing clips clip onto basket front/rear

Glass sides insert set for use with solid base Premea baskets			
For use with	Glass width	Clear glass	Frosted glass
30/35° basket sets	282 mm	546.40.490	546.40.590
45° basket sets	214 mm	546.40.491	546.40.591

Order qty: 1 set (= 2 side panels and 4 clips)

V-S 2011, HUK. Dimensional data not binding. We reserve the right to alter specifications without notice.



150 mm cabinet - basket, oven tray holder and runners all included in the set, for installation on right hand side only, as shown

### Pull out storage sets

Three options available for 150 mm cabinets:

Storage basket with oven tray holder

Storage basket with towel holder

Two tier storage basket set

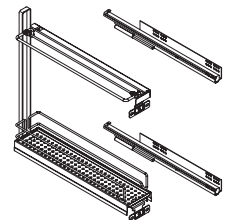
Sets include soft closing runners and storage fittings.

### 90° Storage basket and oven tray holder set, 100 mm width

- Handed - right handed only, as per photograph shown
- Installed height: 600 mm
- Built-in depth: 500 mm

#### Set includes:

- **Storage basket;** 1x basket, heavier gauge chrome-plated steel with solid base
- **Oven tray holder;** 1x holder, heavier gauge chrome-plated steel
- **Ball bearing runners;** 1x pair of runners, galvanized steel, full extension, self closing including 2 dampers
- **Basket securing clips;** 4x clips, zinc-plated steel
- **Door hanging plates;** 2x plates, zinc-plated steel



For cabinet width	Cat. No.
150 mm	545.12.282

Order qty: 1 set



- basket, towel holder and runners



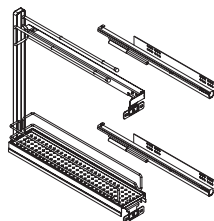
- two tier basket set and runners

**90° Storage basket and towel holder set, 100 mm width**

- Handed - right handed only, as per photograph shown
- Installed height: 600 mm
- Built-in depth: 500 mm

**Set includes:**

- **Storage basket;** 1x basket, heavier gauge chrome-plated steel with solid base
- **Towel holder;** 1x 2-rail holder, heavier gauge chrome-plated steel
- **Ball bearing runners;** 1x pair of runners, galvanized steel, full extension, self closing including 2 dampers
- **Basket securing clips;** 4x clips, zinc-plated steel
- **Door hanging plates;** 2x plates, zinc-plated steel



For cabinet width	Cat. No.
150 mm	545.12.252

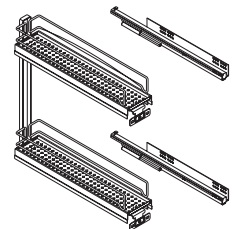
Order qty: 1 set

**90° Storage baskets set, 100 mm width**

- Handed - right handed only, as per photograph shown
- Installed height: 600 mm
- Built-in depth: 500 mm

**Set includes:**

- **Storage baskets;** 2x baskets, heavier gauge chrome-plated steel with solid base
- **Ball bearing runners;** 1x pair of runners, galvanized steel, full extension, self closing including 2 dampers
- **Basket securing clips;** 4x clips, zinc-plated steel
- **Door hanging plates;** 2x plates, zinc-plated steel



For cabinet width	Cat. No.
150 mm	545.12.272

Order qty: 1 set

V-S 2011, HUK. Dimensional data not binding. We reserve the right to alter specifications without notice.

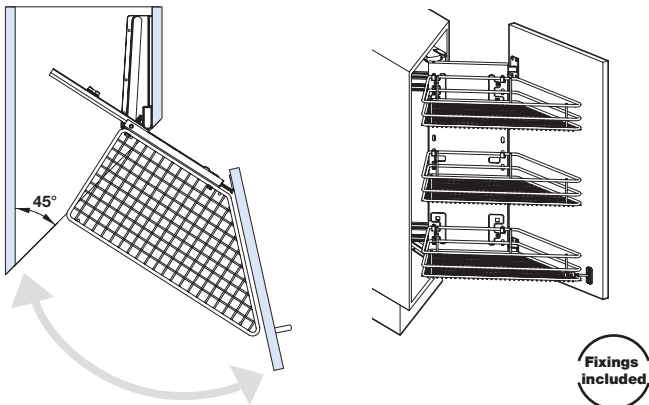


Angled 300 mm cabinet - 45° angled storage unit, right hand version shown

### Rotary angled storage units

Designed to suit the increasing popular chisel fronted cabinets.

The baskets pull out from the unit and rotate, so that the entire contents of the baskets are easily accessible.



Fixings included

#### Rotary, 45° angled storage unit with chrome wire mesh baskets

- For 45° angled cabinets
- For installed height 630 mm
- Built-in depth 500 mm
- For minimum cabinet width 300 mm

#### Set includes:

- **Hanging frame;** silver epoxy coated steel, max. load carrying capacity 16 kg per unit
- **Storage baskets;** 3x chrome-plated steel, mesh chrome wire, 210 x 450 mm
- **Fixing clips;** silver epoxy coated steel
- Fitting instructions



For cabinet width	Left hand	Right hand
300 mm	546.37.551	546.37.541

Order qty: 1 set

Note: Diagram and photos show right hand version.

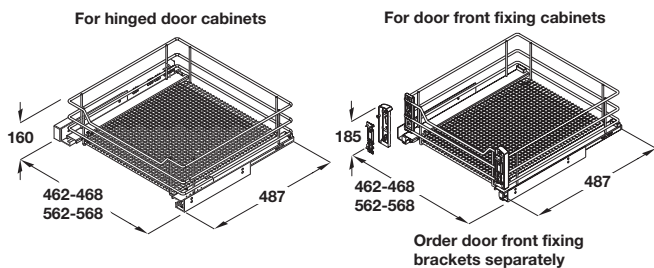


For 500 or 600 mm cabinet widths - set includes one storage basket and one pair soft closing runners

**Pull out storage baskets**

Storage basket sets for hinged door cabinets or cabinets with door fronts.

Sets include 1 basket and 1 pair of runners, for either 500 or 600 mm cabinet widths.



**Pull out storage set with chrome wire mesh baskets**

- To suit 500 or 600 mm cabinet widths with 15/16 or 18/19 mm board thickness
- Minimum internal depth: 515 mm
- Comprises:
  - 1x Storage basket, chrome-plated steel, mesh chrome wire, max. load carrying capacity 20 kg per basket
  - 1x Pair ball bearing runners, galvanized steel, full extension, self closing
- Fitting instructions



For cabinet width	500 mm	600 mm
For hinged door cabinets	548.01.214	548.01.216
For door front fixing cabinets	548.01.204	548.01.206
Door front fixing brackets (1 pair)	548.01.999	

Order qty: 1 set



Recorner maxx® Pole-free Shelving Units



Photograph above shows 3 sets of Recorner maxx® installed

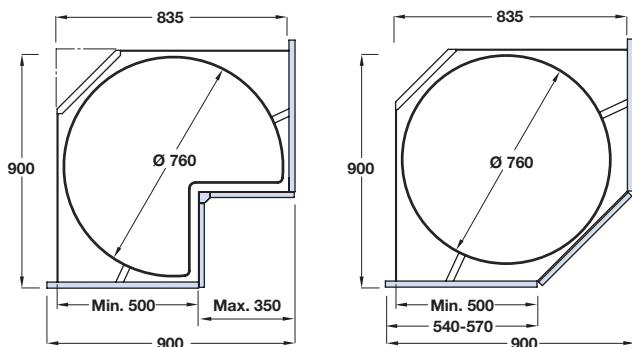


Recorner maxx® with polished chrome rail

Recorner maxx®

This pole-free corner cabinet solution provides a distinctly greater amount of storage space with no space limiting central column, giving optimum use of storage space for bulky accessories such as bowls, trays and pans.

Shelves are side mounted to carcass walls using an ingenious pole-free system.



Recorner maxx® pole-free shelving unit

- Suitable for 900 mm corner base cabinets
• Built-in depth: 500 mm
• Unhanded
• 27.5 kg carrying capacity per shelf
• Designed with no central column to give greatest amount of storage space and with adjustable shelf heights to suit different cabinet heights
• Can be retro-fitted into existing cabinets
• Shelves rotate independently of each other
• 2x: Set includes 2x 3/4 or 2x 4/4 white wood round shelves with polished chrome rail, lower shelf central bearing, upper shelf diagonal strut and fitting instructions
• Fixing screws not included, order Cat. No. 015.71.839 separately

Table with 2 columns: For 900 mm cabinet width, Cat. No.
Three quarter carousel unit: 542.62.712
Full circle carousel unit: 542.62.722

Order qty: 1 set (1 set = 2 shelves and fittings)

V-S 2011, HUK. Dimensional data not binding. We reserve the right to alter specifications without notice.





Recorner maxx® with plexiglass sides



**Recorner maxx® pole-free shelving unit with plexiglass sides**

- Suitable for 900 mm corner base cabinets
- Built-in depth: 500 mm
- Unhanded
- **27.5 kg** carrying capacity per shelf
- Designed with no central column to give greatest amount of storage space and with adjustable shelf heights to suit different cabinet heights
- Can be retro-fitted into existing cabinets
- Shelves rotate independently of each other
- 2x: Set includes 2x 3/4 or 2x 4/4 white wood round shelves with **polished chrome edging and plexiglass inserts**, lower shelf central bearing, upper shelf diagonal strut and fitting instructions
- Fixing screws not included, order Cat. No. **015.71.839** separately

For 900 mm cabinet width	Cat. No.
Three quarter carousel unit	542.62.742
Full circle carousel unit	542.62.752

Order qty: 1 set (1 set = 2 shelves and fittings)



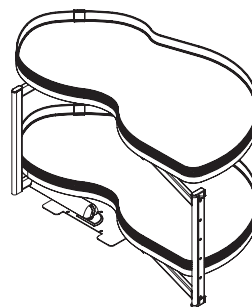
Twin corner pull out shelving unit with railing, right hand version

**Twin corner pull out shelving unit**

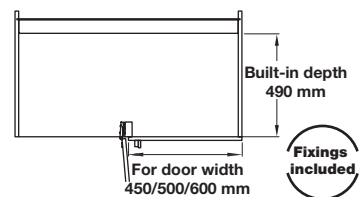
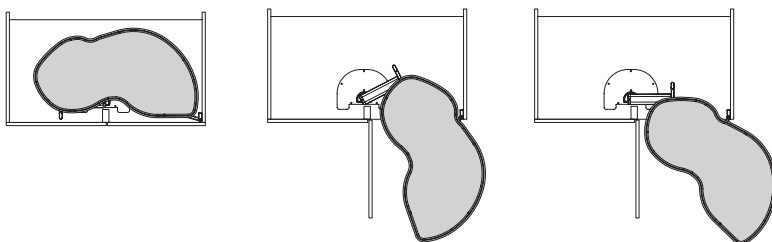
Twin corner includes 2 shelves and all fittings for installation in 900 or 1000 mm plus corner cabinets with 450 or 500 mm doors.

Designed so that the pull out section automatically begins to pivot as the unit is pulled out of the cabinet.

Slide corner shelving unit shown on page 26 has the same pull-out pivot action, but has the additional feature of shelves which can be pulled out independently of one another.



Shelves pull out together



Note: Diagram and photos show right hand version.



Twin corner pull out shelving unit without railing, right hand version

**Twin corner pull out shelving unit with railing**

- Suitable for 900, 1000 or min. 1000 mm corner base cabinets
- Built-in depth: 490 mm
- Left or right handed
- Designed so that the pull out section automatically begins to pivot as the unit is pulled out of the cabinet
- **Shelves pull out together**
- Set includes 2x laminated wooden shelves, with a white base and polished chrome rail, pull out and pivoting mechanism and fitting instructions

For cabinet width	For door width	Left hand	Right hand
900 mm	450 mm	542.08.246	542.08.245
1000 mm	500 mm	542.08.251	542.08.250
Min. 1000 mm	600 mm	542.08.261	542.08.260

Order qty: 1 set

**Twin corner pull out shelving unit without railing**

- Set includes 2x laminated wooden shelves, with a white base and polished chrome edge, pull out and pivoting mechanism and fitting instructions

For cabinet width	For door width	Left hand	Right hand
900 mm	450 mm	542.08.846	542.08.845
1000 mm	500 mm	542.08.851	542.08.850

Order qty: 1 set

**Twin corner pull out shelving unit with plexiglass sides**

- Set includes 2x laminated wooden shelves, with a white base and polished chrome edging and plexiglass inserts, pull out and pivoting mechanism and fitting instructions

For cabinet width	For door width	Left hand	Right hand
1000 mm	500 mm	542.08.351	542.08.350

Order qty: 1 set



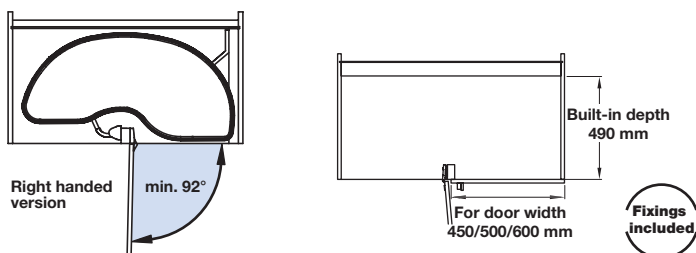
Slide corner pull out shelving unit with chrome rail, right hand version

### Slide corner pull out shelving unit

Slide corner includes two shelves and all fittings for installation in corner cabinets. Shelves do not obstruct adjacent cabinet when pulled out and pull out independently of each other.

**Please note:** 92° cabinet hinges must be used, as door needs to open a minimum of 92° to allow the unit to pull out.

Wide corner post must also be fitted, if D handles or similar protruding handles are used on the unit doors.



**Note:** Diagram and photos show right hand version

### Slide corner shelving unit

- Suitable for 900, 1000 or min. 1000 mm corner base cabinets
- Built-in depth: 490 mm
- Left or right handed
- Designed so that the pull-out section automatically begins to pivot as the unit is pulled out of the cabinet
- **Shelves pull out independently of one another**
- Set includes 2x laminated wooden shelves, with a white base and polished chrome rail, slide and pivoting mechanism and fitting instructions

For cabinet width	For door width	Left hand	Right hand
900 mm	450 mm	542.07.746	542.07.745
1000 mm	500 mm	542.07.751	542.07.750
Min. 1000 mm	600 mm	542.07.761	542.07.760

### Slide corner shelving unit with plexiglass sides

- Set includes 2x laminated wooden shelves, with a white base and polished chrome edging and plexiglass inserts, slide and pivoting mechanism and fitting instructions

For cabinet width	For door width	Left hand	Right hand
900 mm	450 mm	542.07.346	542.07.345
1000 mm	500 mm	542.07.351	542.07.350
Min. 1000 mm	600 mm	542.07.361	542.07.360

Order qty: 1 pc



Swing out waste bin with one 12 litre and three 9 litre bins

Swing out waste bin

- For hinged door cabinets, for side wall and base mounting to cabinets, by means of a side fixing bracket and base mounting weight bearing pivot
- Designed to be withdrawn from the cabinet whilst the lid remains inside
- Can be mounted left or right handed
- Installed height x width x depth: 525 x 460 x 460 mm
- Silver epoxy coated steel wire frame housing and light grey plastic mounting components and lid included
- Light grey plastic bins with yellow, light grey, blue and green coloured handles
- Total capacity: **39 litres**



For cabinet width	Bins included	Cat. No.
Min. 500 mm	<b>1x 12, 3x 9 litre bins</b>	502.79.504

Order qty: 1 pc

Swing out waste bin

- For hinged door cabinets, for side wall and base mounting to cabinets, by means of a side fixing bracket and base mounting weight bearing pivot
- Designed to be withdrawn from the cabinet whilst the lid remains inside
- Can be mounted left or right handed
- Installed height x width x depth: 525 x 460 x 460 mm
- Silver epoxy coated steel wire frame housing and light grey plastic mounting components and lid included
- Light grey plastic bins with yellow, light grey and blue coloured handles
- Total capacity: **40 litres**



For cabinet width	Bins included	Cat. No.
Min. 500 mm	<b>1x 19, 1x 12, 1x 9 litre bins</b>	502.79.503

Order qty: 1 pc



Photo shows 600 mm wide cabinet with two 10 litre bins and one 22 litre bin - information available on request.

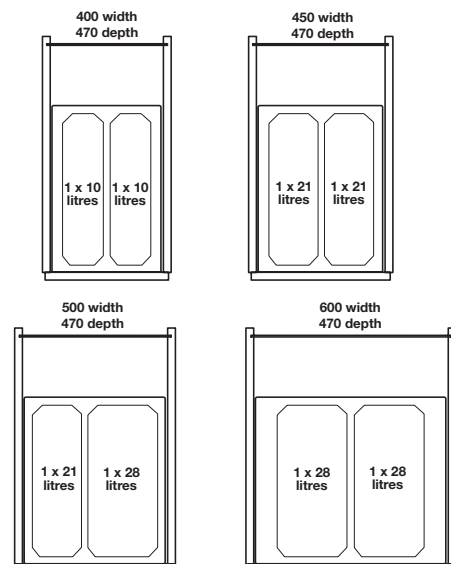
**Oeko liner pull-out waste bin**

- For door front fixing cabinets, for side wall mounting to cabinets
- Designed to be withdrawn from the cabinet whilst the lid remains inside for use as shelf
- Installed height: See table below  
Installed depth: 470 mm
- Silver epoxy coated steel side panels, lid, frame housing and mounting components and grey plastic bins
- Total capacity: 20, 42, 49 and 56 litres



For cabinet width	Installed height	Bins included:	Cat. No.
400 mm	370 mm	2x 10 litre bins	503.04.503
450 mm	470 mm	2x 21 litre bins	503.04.514
500 mm	470 mm	1x 21, 1x 28 litre bins	503.04.515
600 mm	470 mm	2x 28 litre bins	503.04.517

Order qty: 1 pc



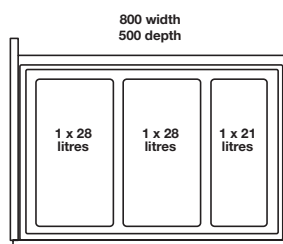
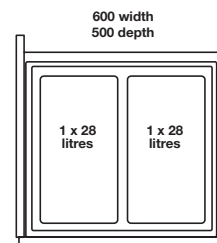
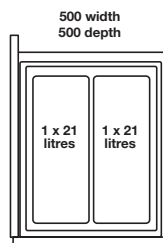
V-S 2011, HUK. Dimensional data not binding. We reserve the right to alter specifications without notice.



Photo shows 600 mm wide cabinet with 2x 10 litre bins and 1x 28 litre bin - information available on request. **Drawer box and runner not included.**

**Oeko flexliner system**

- For base mounting in standard drawer boxes or on pull out shelf
- System consists of a bin frame, bin sizes to suit and a lid shelf
- Frames sizes for cabinet widths 500, 600 and 800 mm
- Installed height: 466 mm
- Waste bins are made of high quality plastic with an extra smooth surface and are therefore easy to clean
- Lid offers additional storage space above the bins
- Bin frames and lid shelf are made of double powder coated metal with protective enamel, grey finish, bins are light grey plastic
- Total capacity: 49, 56 or 77 litres
- Other frame sizes are available for cabinet widths from 400 to 900 mm with bin capacities varying from 10 to 28 litres - information on request



For drawer width	Bins included	Cat. No.
500 mm	2x 21 litre bins	503.16.502
600 mm	2x 28 litre bins	503.16.503
800 mm	2x 28, 1x 21litre bins	503.16.504

Order qty: 1 set